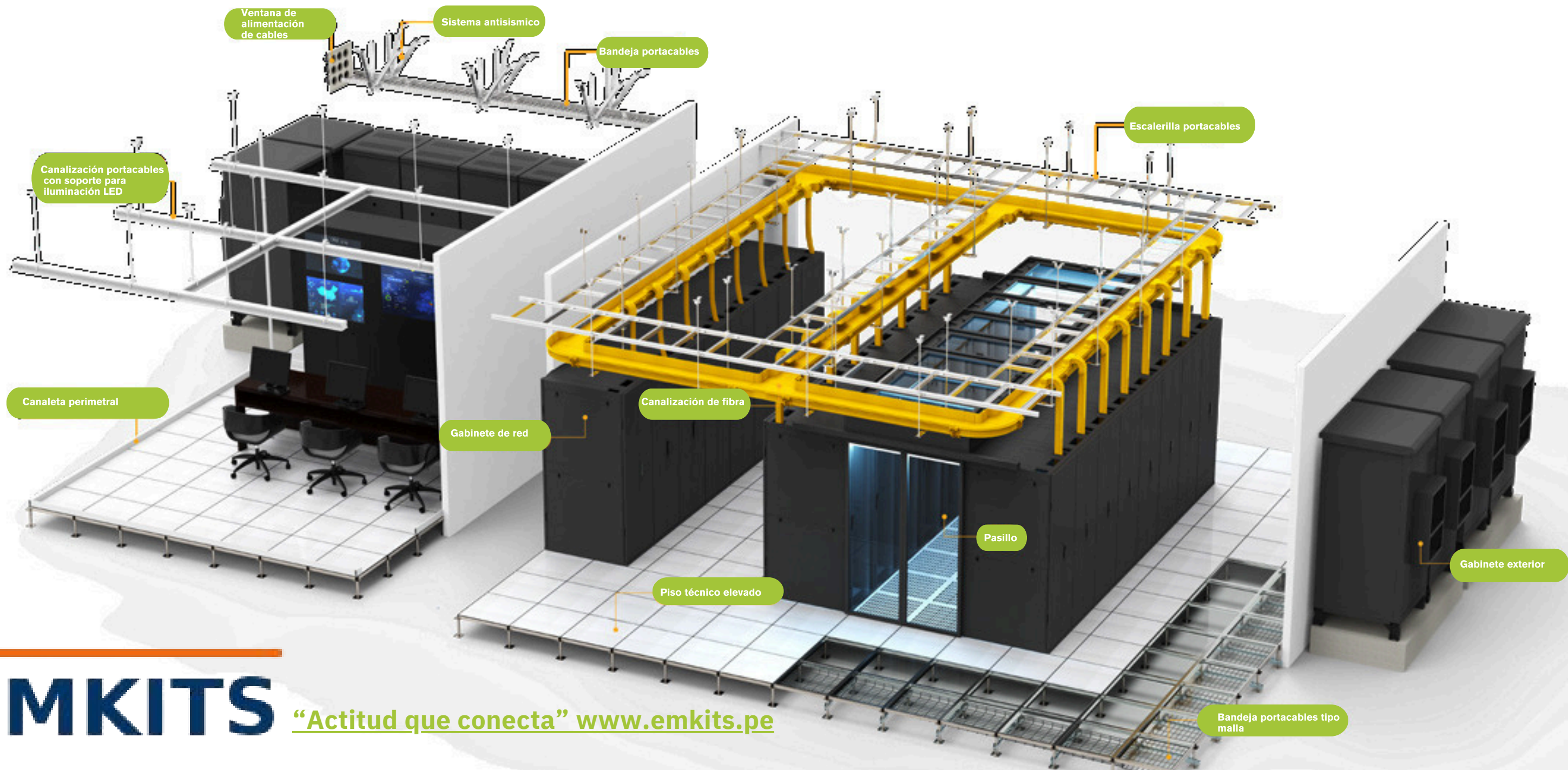


EMKITS – Sistema de Canalización Óptica (Cable Management System)

Canalización óptica diseñada para la eficiencia y el alto desempeño de tu data center.

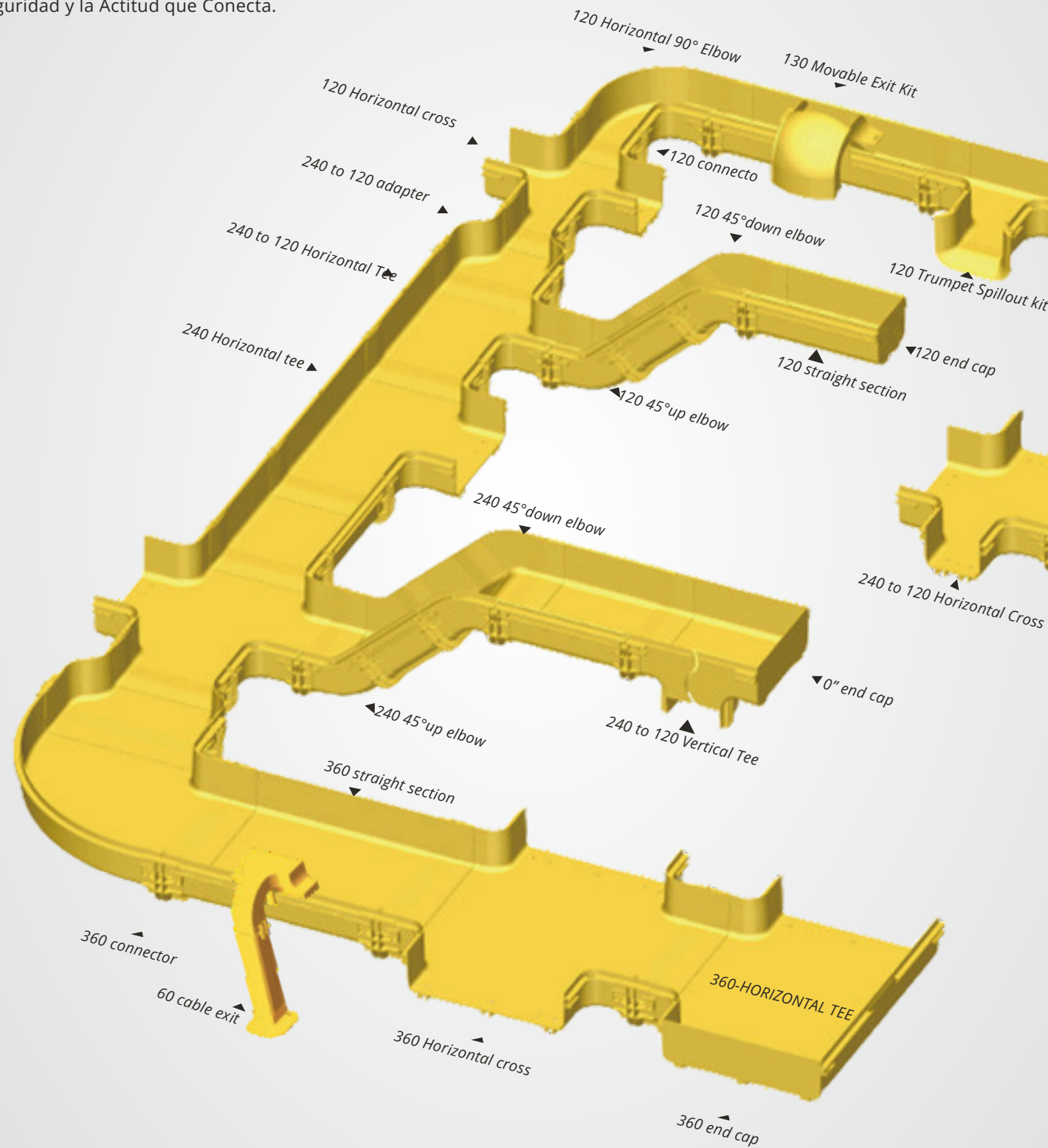
- 1 Gestión de cables**
Bandejas portacables tipo malla, bandejas para fibra óptica, bandejas perforadas, escalerillas portacables y canalizaciones metálicas/plásticas.
- 2 Monitoreo DCIM**
SGabinets para servidores/red, gabinetes murales, racks abiertos, sistemas de confinamiento de pasillo frío/caliente, gabinetes de distribución de energía (PDU) y gabinetes para exteriores.
- 3 Soporte de Cables y Tuberías (Cable & Pipe Support)**
Soluciones de soporte para canalizaciones con refuerzo sísmico, diseñadas para mayor seguridad y estabilidad en proyectos de telecomunicaciones y data centers
- 4 Piso técnico elevado con protección antiestática**
Pisos técnicos elevados de acero, pisos elevados con cubierta cerámica, pisos elevados de sulfato de calcio, pisos elevados OA, pisos elevados perforados y sistema de pisos de instalación extremadamente fácil.



EMKITS – SISTEMA DE CANALIZACIÓN ÓPTICA

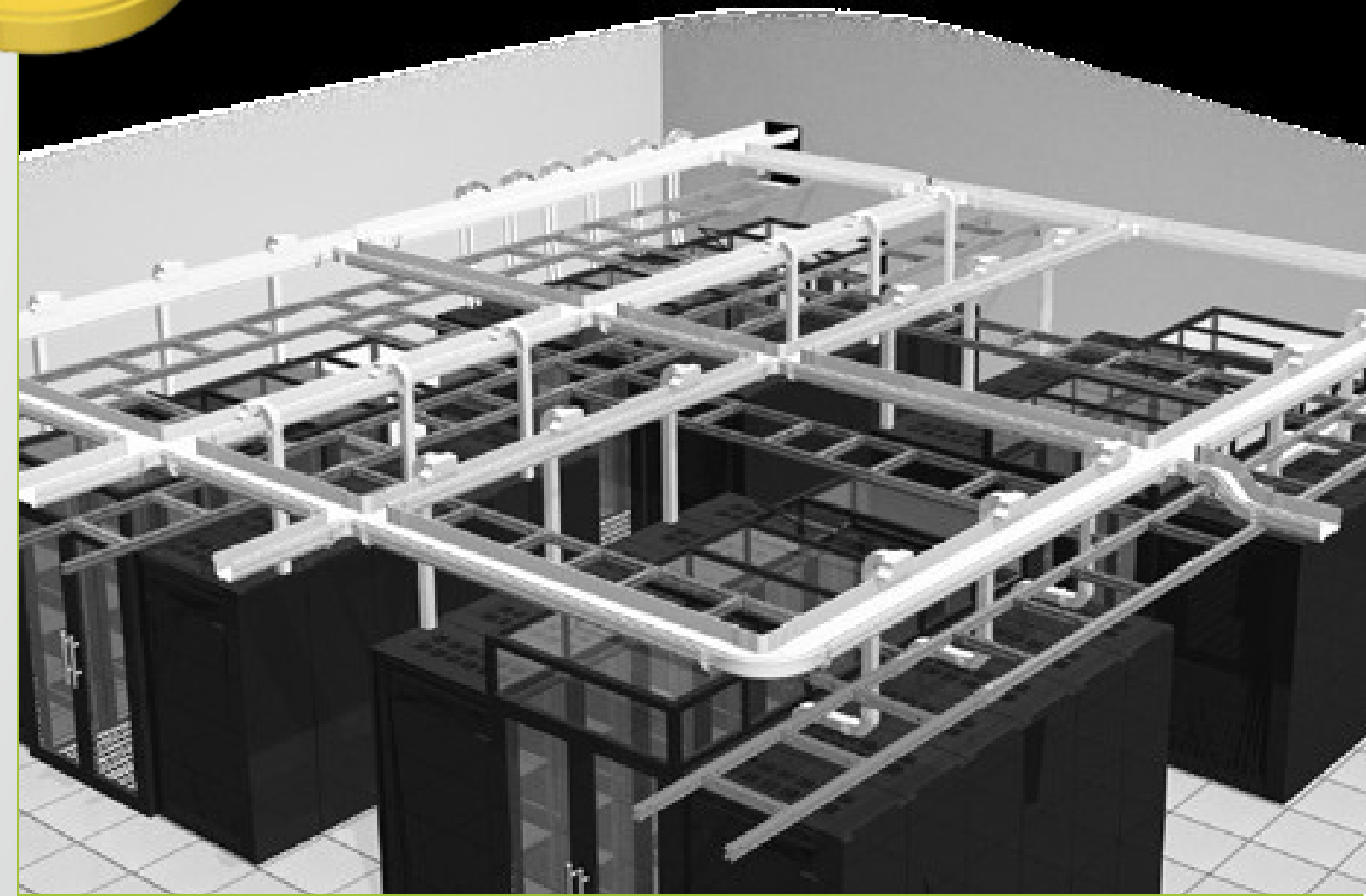
El Sistema de Canalización Óptica EMKITS está diseñado para proteger y guiar los patch cords de fibra óptica y sus ensamblajes, garantizando un recorrido seguro desde gabinetes de red, ODF y demás dispositivos de terminación.

Fabricados en materiales de alto rendimiento (ABS y PVC de calidad superior), nuestros ductos ofrecen resistencia, durabilidad y una instalación sencilla y modular. Son la mejor solución para proyectos que requieren orden, estética y eficiencia en la gestión de cables, adaptándose a diferentes presupuestos y necesidades técnicas. Con EMKITS, la conectividad se canaliza con precisión, seguridad y la Actitud que Conecta.



EMKITS – SISTEMA DE CANALIZACIÓN ÓPTICA

- Los cordones de fibra deben estar separados de los servicios de cobre y canalizados en ductos cerrados, claramente identificados mediante un color distintivo y brillante.
- Es indispensable la protección contra compresión y el respeto al radio mínimo de curvatura, generalmente especificado en 30 mm.
- Los costos de mano de obra en instalaciones de telecomunicaciones y data centers son elevados; por ello, el sistema elegido debe ser ágil y fácil de instalar.
- Todos los productos plásticos deben ser autoextinguibles, evitando riesgos para el personal, los equipos de transmisión y la infraestructura en caso de incendio.
- La necesidad de cero tiempo de inactividad en sistemas de fibra óptica exige soluciones que permitan modificaciones o ampliaciones sin desmontar la fibra existente ni interrumpir el servicio.
- Todos los productos plásticos deben cumplir con la normativa RoHS para garantizar seguridad y sostenibilidad.



EMKITS – SISTEMA DE CANALIZACIÓN ÓPTICA.

DENSIDAD RECOMENDADA

Stacking height	Raceway size	Dia. 1.6mm	Dia. 2.0mm	Dia. 3.0mm	Dia. 5.2mm	Dia. 6.1mm
50%	60mmx60mm	650	450	200	60	40
	120mmx100mm	2900	1450	650	200	135
	240mmx100mm	4750	2900	1300	425	300
	360mmx100mm	7000	4350	1950	650	460
	600mmx100mm	11700	7500	3300	1100	760
75%	60mmx60mm	975	675	300	90	60
	120mmx100mm	3450	2175	975	300	200
	240mmx100mm	6975	4350	1950	630	450
	360mmx100mm	10500	6525	2925	975	690
	600mmx100mm	17550	11250	4950	1650	1140
100%	60mmx60mm	1300	900	400	120	80
	120mmx100mm	4600	2900	1300	400	270
	240mmx100mm	9300	5800	2600	850	600
	360mmx100mm	14000	8700	3900	1300	920
	600mmx100mm	23400	15000	6600	2200	1520

EMKITS – Sistema de Canalización Óptica

“Soluciones EMKITS para Data Centers de Alto Rendimiento”

“EMKITS – Sistema de Gestión de Fibra Óptica”



Retardante a la llama



Resistente a impactos

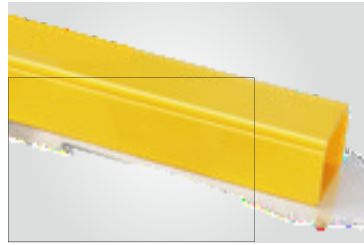


Duradero



EMKITS – SISTEMA DE CANALIZACIÓN ÓPTIC FIBRE MANAGEMENT SYSTEM

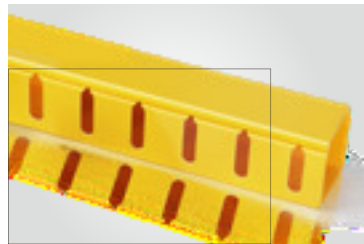
60 SERIES RACEWAY



Item No.:	Name	Spec(mm)			Overall (mm)	Color	Material
		W	H	L			
3A100	60 Straight section	60	60	2000	64×64×2000	Yellow	PVC
38111	60 Straight section cover	60	—	—	64×7.5×2000	Yellow	PVC

● Used to carry the cables horizontally throughout the system. Accepts cover and fittings.

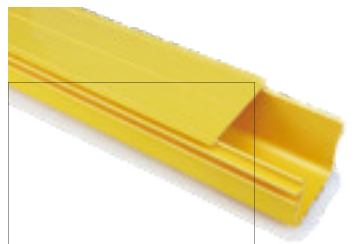
60 SERIES RACEWAY



Item No.:	Name	Spec(mm)			Overall (mm)	Color	Material
		W	H	L			
	60 Straight section	60	60	2000	64×64×1000	Yellow	PVC
38111	60 Straight section cover	60	—	—	64×7.5×1000	Yellow	PVC

● Suits for cable management inside cabinets and vertically at both side of open frame racks.

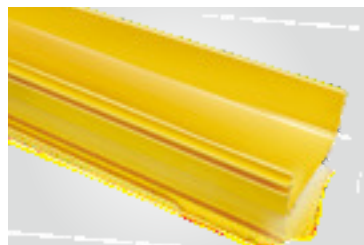
120 SERIES RACEWAY



Item No.:	Name	Spec(mm)			Overall (mm)	Color	Material
		W	H	L			
3A300	120 Straight section	120	100	2000	158×118×2000	Yellow	PVC
38311	120 Straight section cover	120	—	—	155×12×2000	Yellow	PVC

● Used to carry the cables horizontally throughout the system. Accepts cover and fittings.

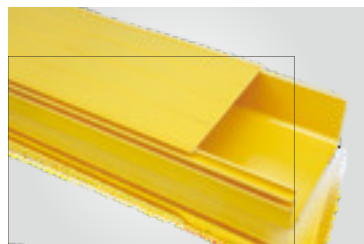
150 SERIES RACEWAY



Item No.:	Name	Spec(mm)			Overall (mm)	Color	Material
		W	H	L			
3A400	150 Straight section	150	100	2000	180×102×2000	Yellow	PVC
38411	150 Straight section cover	150	—	—	165.5×8×2000	Yellow	PVC

● Used to carry the cables horizontally throughout the system. Accepts cover and fittings.

240 SERIES RACEWAY

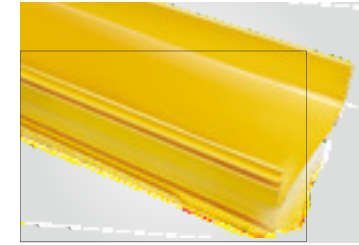


Item No.:	Name	Spec(mm)			Overall (mm)	Color	Material
		W	H	L			
3A600	240 Straight section	240	100	2000	278×118×2000	Yellow	PVC
38611	240 Straight section cover	240	—	—	274×12×2000	Yellow	PVC

● Used to carry the cables horizontally throughout the system. Accepts cover and fittings.

EMKITS – SISTEMA DE CANALIZACIÓN ÓPTIC FIBRE MANAGEMENT SYSTEM

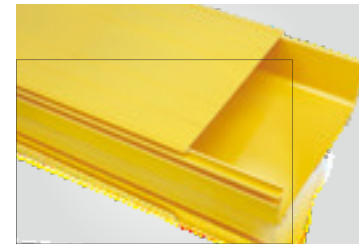
300 SERIES RACEWAY



Item No.:	Name	Spec(mm)			Overall (mm)	Color	Material
		W	H	L			
3A700	300 Straight section	300	100	2000	329×113×2000	Yellow	PVC
38711	300 Straight section cover	300	—	—	274×12×2000	Yellow	PVC

● Used to carry the cables horizontally throughout the system. Accepts cover and fittings.

360 SERIES RACEWAY



Item No.:	Name	Spec(mm)			Overall (mm)	Color	Material
		W	H	L			
3A800	360 Straight section	360	100	2000	396×118×2000	Yellow	PVC
38811	360 Straight section cover	360	—	—	389×12×2000	Yellow	PVC

● Used to carry the cables horizontally throughout the system. Accepts cover and fittings.

600 SERIES RACEWAY



Item No.:	Name	Spec(mm)			Overall (mm)	Color	Material
		W	H	L			
3A900	600 Straight section	600	100	2000	636×118×2000	Yellow	PVC
38911	600 Straight section cover	600	—	—	634×12.5×2000	Yellow	PVC

● Used to carry the cables horizontally throughout the system. Accepts cover and fittings.

EMKITS – Sistema de Canalización Óptica 60×60

EMKITS – Sistema de Canalización Óptica



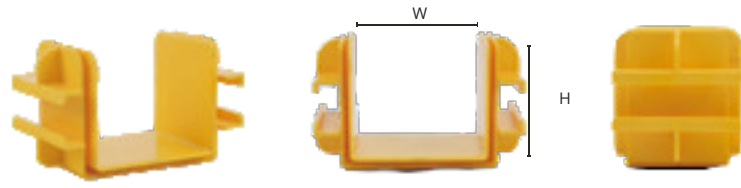
60×60mm FIBRE MANAGEMENT SYSTEM

60×60

SISTEMA DE CANALIZACIÓN ÓPTICA Especificaciones de producto

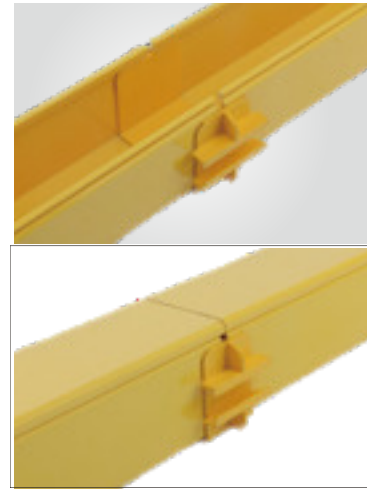
No.	Description	Item no.:	Page	Drawing
1	60mm Connector A type	311A0	23	26
2	60mm Horizontal 90° Elbow	31190	23	26
3	60mm 90° Up Elbow	31150	23	26
4	60mm 90° Down Elbow	311X0	24	26
5	60mm Horizontal Tee	31120	24	26
6	60mm Horizontal Cross	31130	24	26
7	60mm Vretical Tee	31140	25	27
8	60mm End Cap Kit	311G0	25	27

60MM CONNECTOR A TYPE



Item No.:	Spec(mm)		Overall (mm)	Color	Material
	W	H			
311A0	60	60	90x50x54	Yellow	PVC/ABS

- Quickly joins two sections of channel and/or fittings.
- No screws are needed for normal installation
- Flame retardant: UL94-V0
- Drawing: on page 18

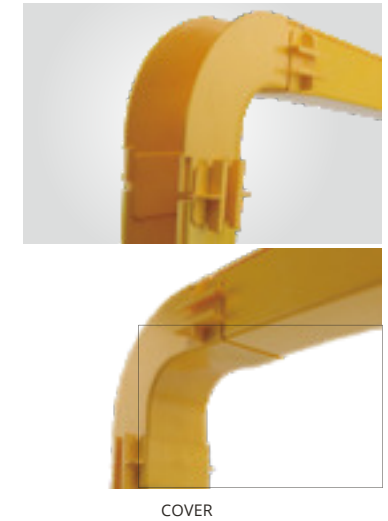


60MM 90° DOWN ELBOW

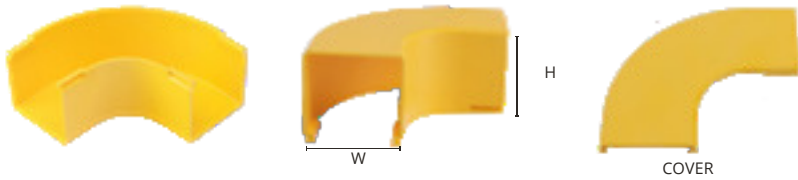


Item No.:	Name	Spec(mm)		Overall (mm)	Color	Material
		W	H			
311X0	60mm 90° Down elbow	60	60	134x134x61	Yellow	PVC/ABS
38194	60mm 90° Down elbow cover	60	—	143x64x143	Yellow	PVC/ABS

- Attaches to 60mmx60mm channel and/or fitting to create a 90° downward angle from a straight horizontal run. Used with 90° up elbow to change level of a horizontal run.
- 2 Connectors are needed for installation
- Flame retardant: UL94-V0
- Drawing: on page 18

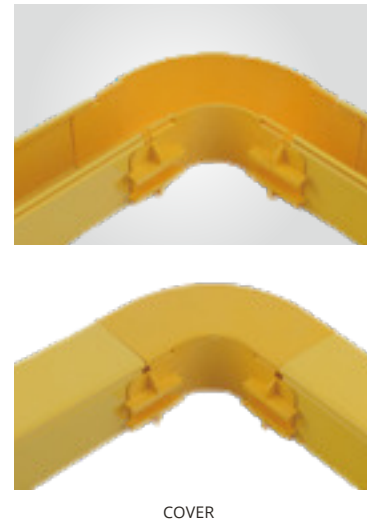


60MM HORIZONTAL 90° ELBOW

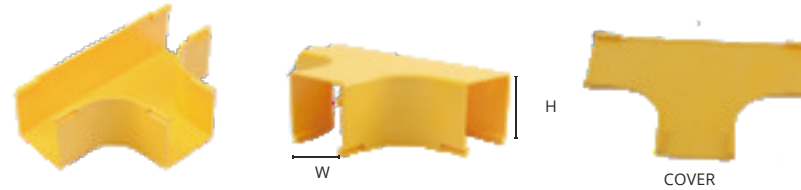


Item No.:	Name	Spec(mm)		Overall (mm)	Color	Material
		W	H			
31190	60mm Horizontal 90° elbow	60	60	134x134x61	Yellow	PVC/ABS
38192	60mm Horizontal 90° elbow cover	60	—	135x135x7.5	Yellow	PVC/ABS

- Attaches to 60mmx60mm channel and/or fittings to create a 90° horizontal elbow from a straight horizontal run.
- 2 Connectors are needed for installation
- Flame retardant: UL94-V0
- Drawing: on page 18

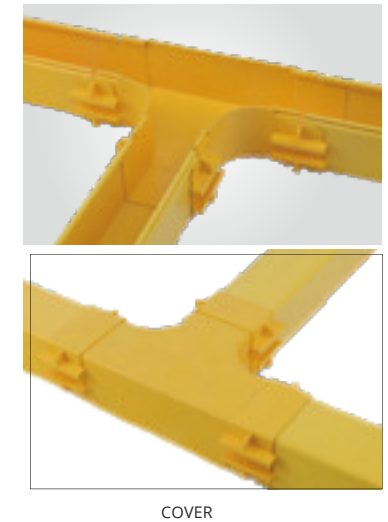


60MM HORIZONTAL TEE

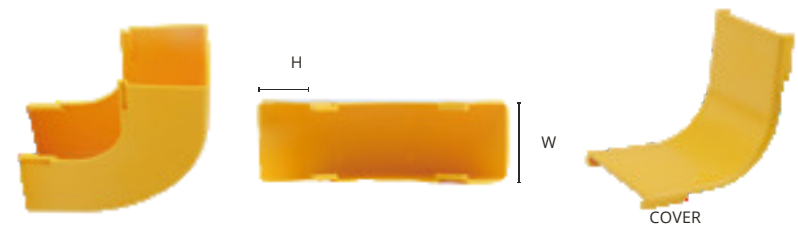


Item No.:	Name	Spec(mm)		Overall (mm)	Color	Material
		W	H			
31120	60mm Horizontal tee	60	60	201x134x61	Yellow	PVC/ABS
38132	60mm Horizontal tee cover	60	—	204x134x7.5	Yellow	PVC/ABS

- Attaches to 60mmx60mm channel and/or fittings to create a 90° horizontal branch from a straight horizontal run.
- 3 Connectors are needed for installation
- Flame retardant: UL94-V0
- Drawing: on page 18

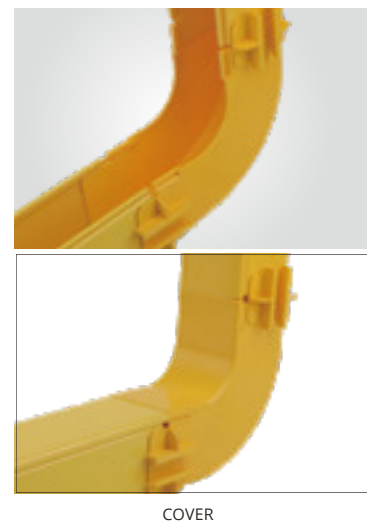


60MM 90° UP ELBOW

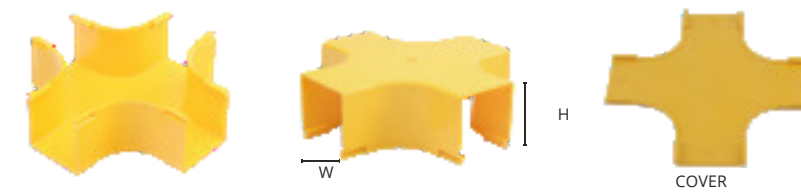


Item No.:	Name	Spec(mm)		Overall (mm)	Color	Material
		W	H			
31150	60mm 90° Up elbow	60	60	140x64x140	Yellow	PVC/ABS
38193	60mm 90° Up elbow cover	60	—	85x64x85	Yellow	PVC/ABS

- Attaches to 60mmx60mm channel and/or fitting to create a 90° upward angle from a straight horizontal run. Used with 90° down elbow to change level of a horizontal run.
- 2 Connectors are needed for installation
- Flame retardant: UL94-V0
- Drawing: on page 18

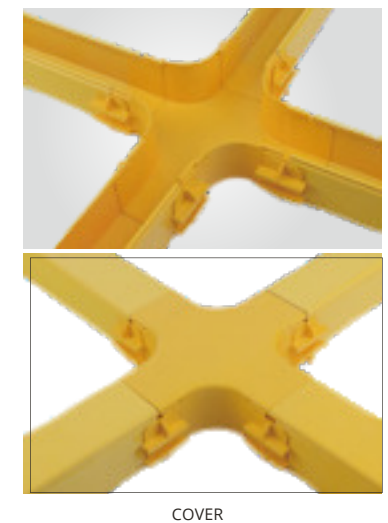


60MM HORIZONTAL CROSS

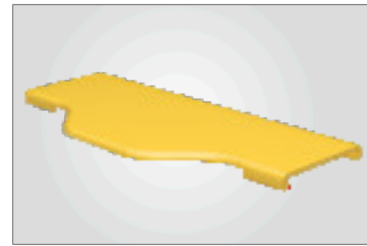


Item No.:	Name	Spec(mm)		Overall (mm)	Color	Material
		W	H			
31130	60mm Horizontal cross	60	60	201x201x61	Yellow	PVC/ABS
38142	60mm Horizontal cross cover	60	—	205x205x7.5	Yellow	PVC/ABS

- Attaches to 60mmx60mm channel and/or fittings to create a horizontal four way cross intersection with two 60mmx60mm exits.
- 4 Connectors are needed for installation
- Flame retardant: UL94-V0
- Drawing: on page 18



60MM VRETICAL TEE



COVER

Item No.:	Name	Spec(mm)		Overall (mm)	Color	Material
		W	H			
31140	60mm Vretical tee	60	60	68x68x27	Yellow	PVC/ABS
38136	60mm Vretical Tee cover	60	—	204x93.5x7.5	Yellow	PVC/ABS

- Used for closing off open ends of the channel or fittings.
- Flame retardant: UL94-V0
- Drawing: on page 19

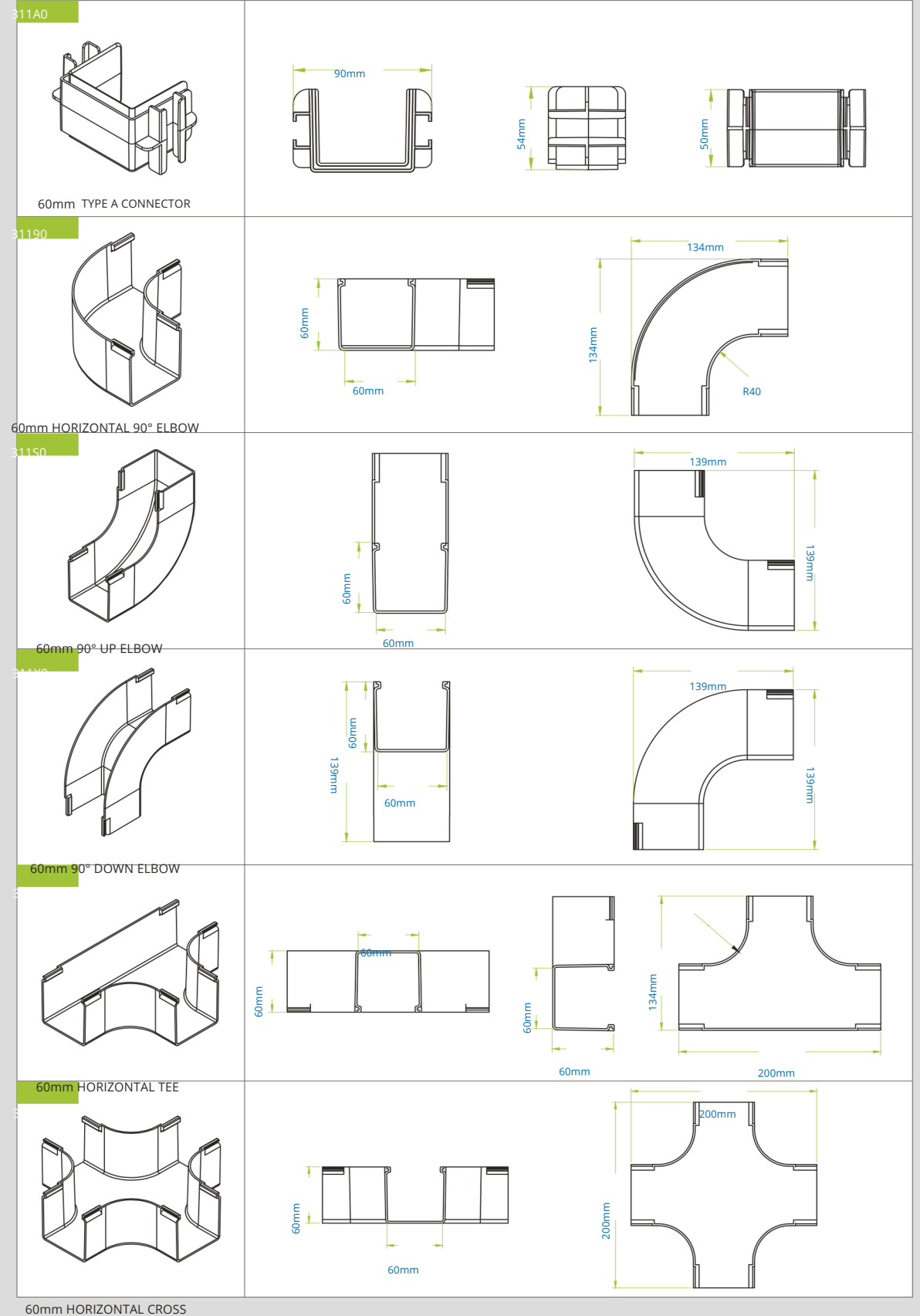
60MM END CAP

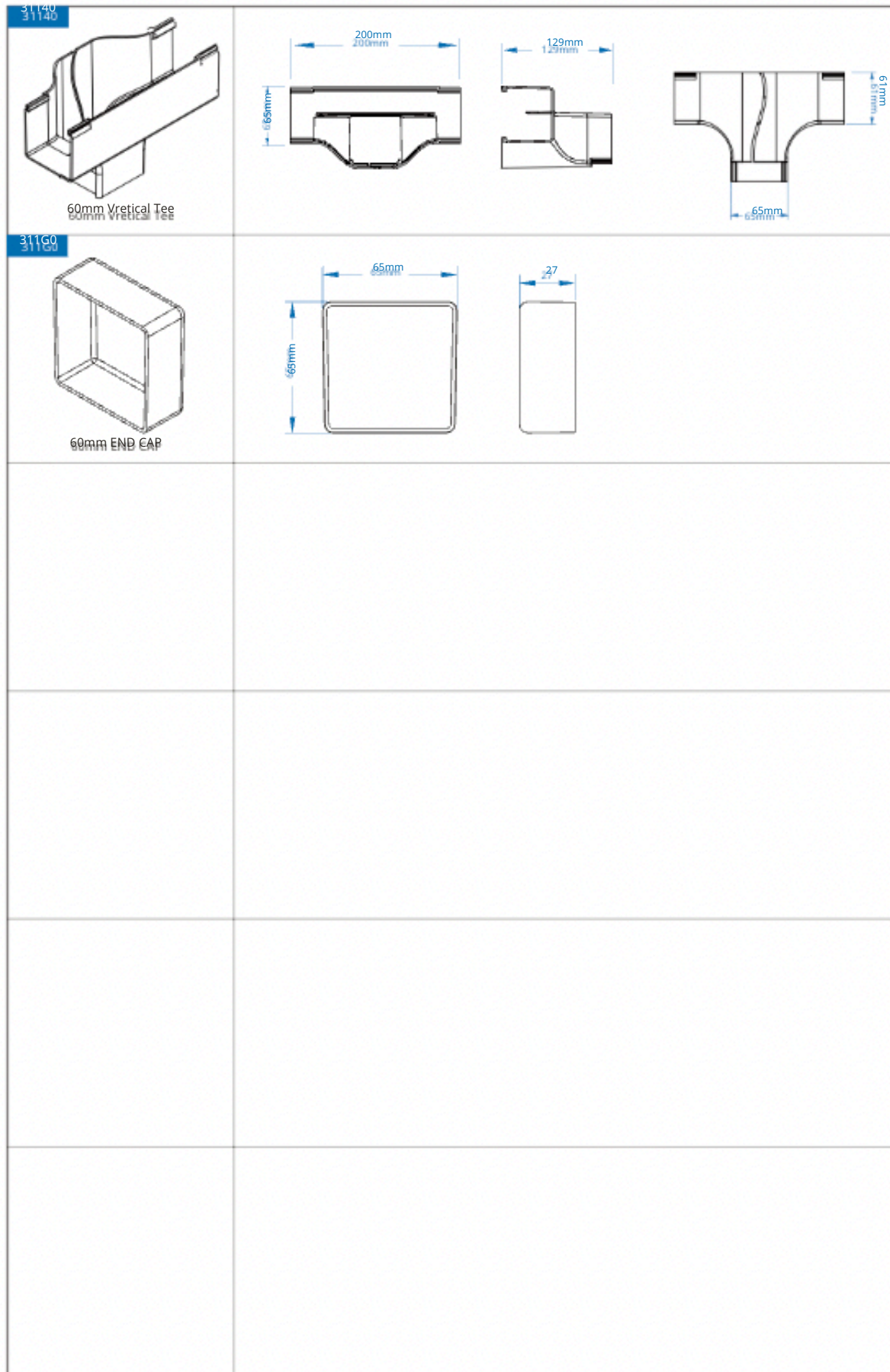


Item No.:	Spec(mm)		Overall (mm)	Color	Material
	W	H			
311G0	60	60	68x68x27	Yellow	PVC/ABS

- Used for closing off open ends of the channel or fittings.
- Flame retardant: UL94-V0
- Drawing: on page 19

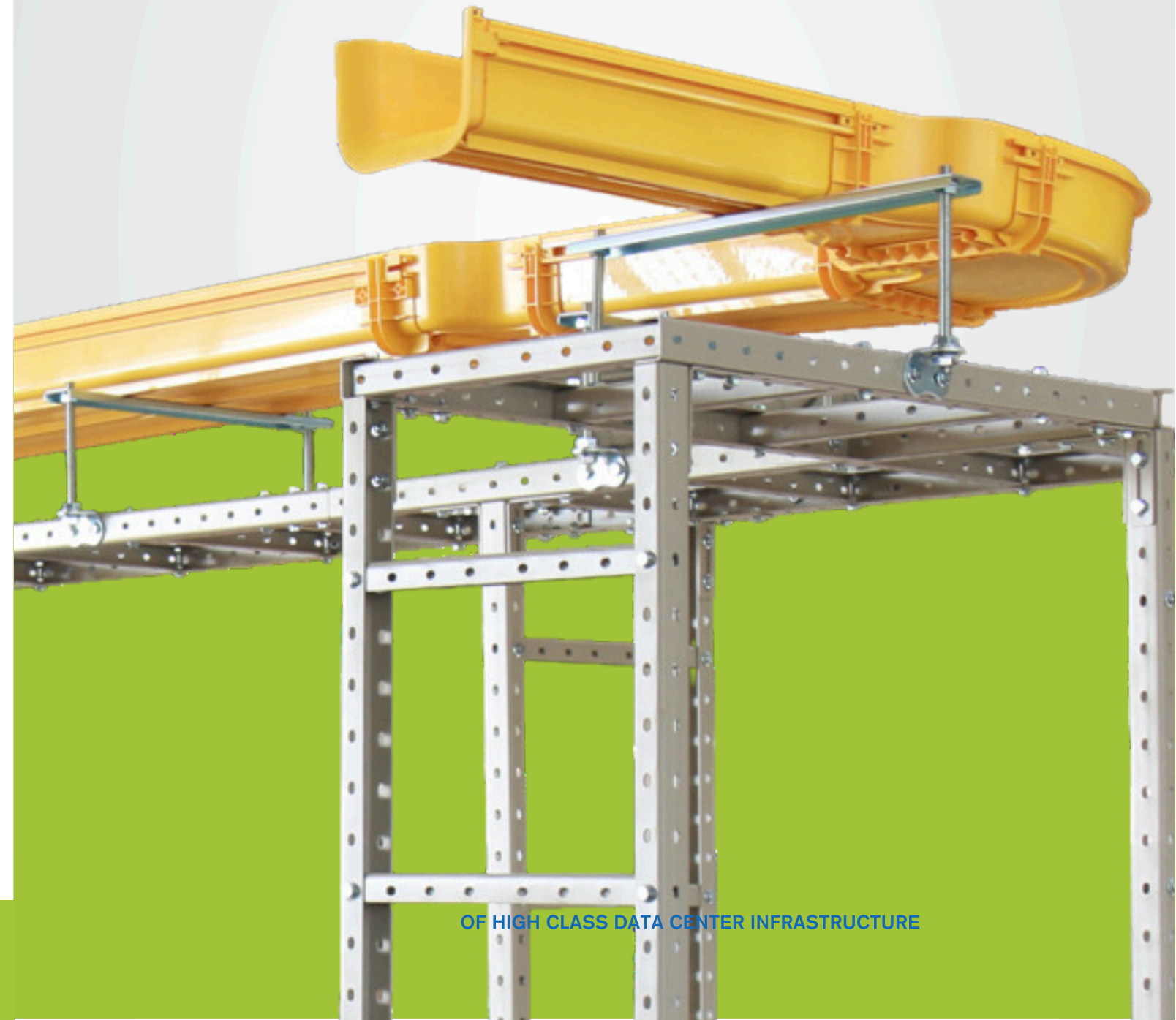
60 SERIES RACEWAY DRAWING





EMKITS – SISTEMA DE CANALIZACIÓN ÓPTICA 120x100

FIBRA MAGEMENT SYSTEM



OF HIGH CLASS DATA CENTER INFRASTRUCTURE

120x100

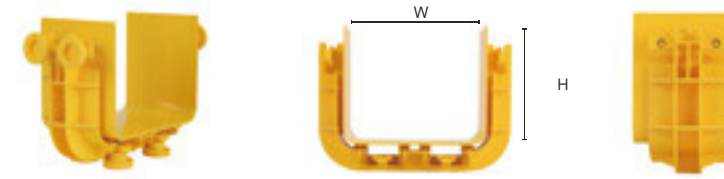
FIBRE MANAGEMENT SYSTEM

ORDER INFORMATION

EMKITS – Sistema de Canalización Óptica

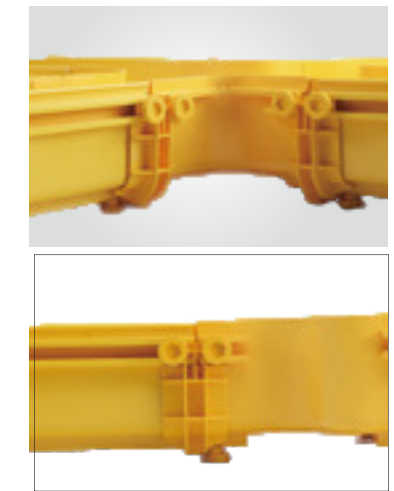
No.	Description	Item no.:	Page	Drawing
1	120mm TYPE B CONNECTOR KIT	LL232	30	34
2	120mm HORIZONTAL 90° ELBOW	31390	30	34
3	120mm HORIZONTAL 45° ELBOW (CONNECTOR FREE)	LL23F	30	34
4	120mm 45° UP ELBOW	31390	31	34
5	120mm 45° DOWN ELBOW	31380	31	34
6	120mm HORIZONTAL TEE	31320	31	34
7	120mm CUTTING IN TEE	LL23E	32	35
8	120mm VERTICAL TEE	31340	32	35
9	120mm HORIZONTAL CROSS	31330	32	35
10	120mm END CAP KIT	LL23A	33	35

120MM TYPE B CONNECTOR KIT

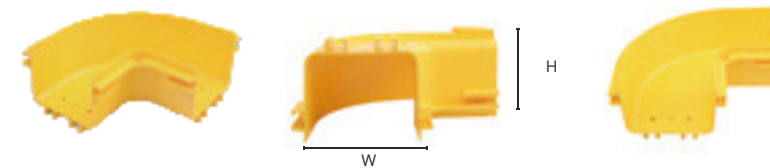


Item No.:	Spec(mm)		Overall (mm)	Color	Material
	W	H			
LL232	120	100	169x84x122	Yellow	PVC/ABS

- Quickly joins two sections of channel and/or fittings. Tighten and release bolts by fingers, absolutely toolless
- Accessories: 8 piece of round head screws (LT5B4 P80)
- Flame retardant: UL94-V0
- Drawing: on page 26



120MM HORIZONTAL 90° ELBOW



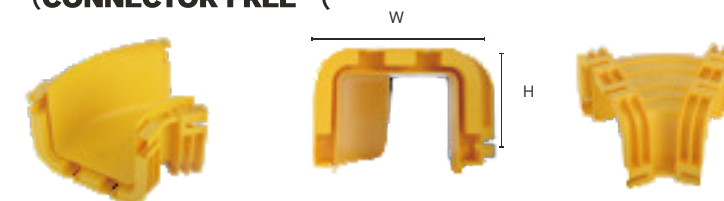
Item No.:	Name	Spec(mm)		Overall (mm)	Color	Material
		W	H			
31390	120mm Horizontal 90° elbow	120	100	258x258x118	Yellow	PVC/ABS
38395	120mm Horizontal 90° elbow cover	120	—	262x262x36	Yellow	PVC/ABS

- Attaches to 120mmx100mm channel and/or fittings to create a 90°horizontal elbow from a straight horizontal run.
- 2 Connectors are needed for installation
- Flame retardant: UL94-V0
- Drawing: on page 26



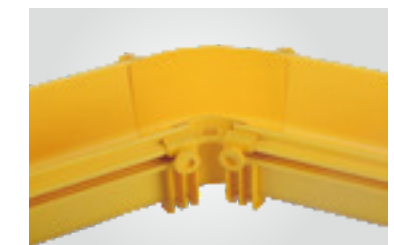
COVER

120MM HORIZONTAL 45° ELBOW (CONNECTOR FREE)



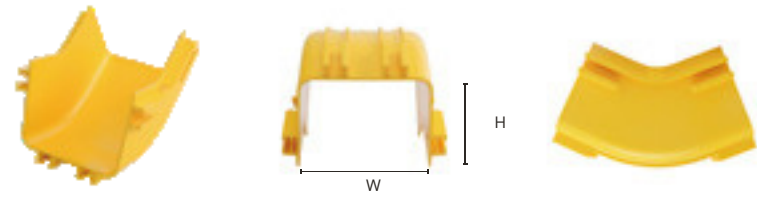
Item No.:	Name	Spec(mm)		Overall (mm)	Color	Material
		W	H			
LL23F	120mm Horizontal 45° elbow connector free	120	100	196x193x121	Yellow	PVC/ABS
38351	120mm Horizontal 45° elbow connector free cover	120	—	201x195x38	Yellow	METAL

- Attaches to 120mmx100mm channel and/or fittings to create a 45°horizontal elbow from a straight horizontal run.
- Installation needs T shape screw (LT147 P80) and twist head nut each 8 piece (LT343 P80)
- Flame retardant: UL94-V0
- Drawing: on page 26



COVER

120MM 45° UP ELBOW



Item No.:	Name	Spec(mm)		Overall (mm)	Color	Material
		W	H			
313F0	120mm 45°Up elbow	120	100	210x155x167	Yellow	PVC/ABS
38352	120mm 45°Up elbow cover	120	—	143x166x95	Yellow	Metal

● Attaches to 120mmx100mm channel and/or fitting to create a 45° upward angle from a straight horizontal run. Used with 45° down elbow to change level of a horizontal run.

- 2 Connectors are needed for installation
- Flame retardant: UL94-V0
- Drawing: on page 26



COVER

120MM 45° DOWN ELBOW



Item No.:	Name	Spec(mm)		Overall (mm)	Color	Material
		W	H			
31380	120mm 45°Down elbow	120	100	187x157x162	Yellow	PVC/ABS
38353	120mm 45°Down elbow cover	120	—	199x166x100	Yellow	Metal

● Attaches to 120mmx100mm channel and/or fitting to create a 45° downward angle from a straight horizontal run. Used with 45° up elbow to change level of a horizontal run.

- 2 Connectors are needed for installation
- Flame retardant: UL94-V0
- Drawing: on page 26



COVER

120MM 90° DOWN ELBOW



Item No.:	Name	Spec(mm)		Overall (mm)	Color	Material
		W	H			
313K0	120mm 90°Down elbow	120	100	157x197x194	Yellow	PVC/ABS
38396	120mm 90°Down elbow cover	120	—	142x200x197	Yellow	PVC/ABS

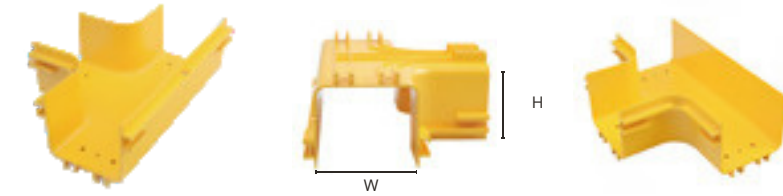
● Attaches to 120mmx100mm channel and/or fitting to create a 90° downward angle from a straight horizontal run. Used with 90° up elbow to change level of a horizontal run.

- 2 Connectors are needed for installation
- Flame retardant: UL94-V0
- Drawing: on page 26



COVER

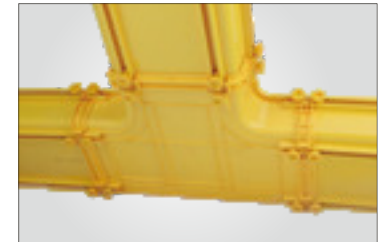
120MM HORIZONTAL TEE



Item No.:	Name	Spec(mm)		Overall (mm)	Color	Material
		W	H			
31320	120mm Horizontal tee	120	100	356x256x118	Yellow	PVC/ABS
38333	120mm Horizontal tee cover	120	—	360x262x36	Yellow	PVC/ABS

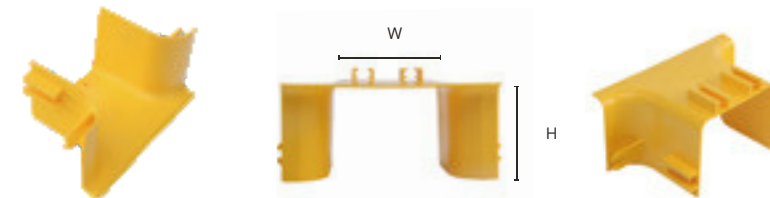
● Attaches to 120mmx100mm channel and/or fittings to create a 90° horizontal branch from a straight horizontal run.

- 3 Connectors are needed for installation
- Flame retardant: UL94-V0
- Drawing: on page 26



COVER

120MM CUTTING IN TEE



Item No.:	Name	Spec(mm)		Overall (mm)	Color	Material
		W	H			
LL23E	120mm Cutting in tee	120	100	233x132x116	Yellow	PVC/ABS
38334	120mm Cutting in tee cover	120	—		Yellow	Metal

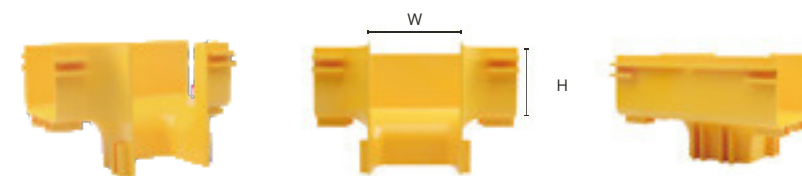
● Attaches to 120mmx100mm channel to create a 90° horizontal lbow from anywhere of a straight horizontal run.

- 1 connectors are needed for installation; Installation needs T shape screw (LT147 P80) and Twist nut each 2piece
- Flame retardant: UL94-V0
- Drawing: on page 27



COVER

120MM VERTICAL TEE



Item No.:	Name	Spec(mm)		Overall (mm)	Color	Material
		W	H			
31340	120mm Vertical tee	120	100	300x199x180	Yellow	PVC/ABS
38337	120mm Vertical tee cover	120	—		Yellow	Metal

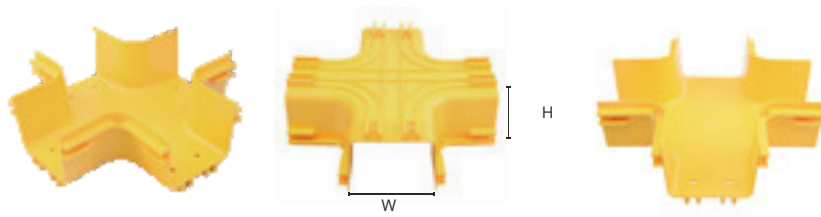
● Attaches to 120mmx100mm channel and/or fittings to create a 120mmx100mm 90° vertical drop from a horizontal run.

- 3 connectors are needed for installation
- Flame retardant: UL94-V0
- Drawing: on page 27



COVER

120MM HORIZONTAL CROSS



Item No.:	Name	Spec(mm)		Overall (mm)	Color	Material
		W	H			
31330	120mm Horizontal cross	120	100	356x356x118	Yellow	PVC/ABS
38344	120mm Horizontal cross cover	120	—	360x360x36	Yellow	PVC/ABS

- Attaches to 120mmx100mm channel and/or fittings to create a horizontal four way cross intersection with two 120mmx100mm exits.
- 4 connectors are needed for installation
- Flame retardant: UL94-V0
- Drawing: On Page 27



120MM END CAP KIT

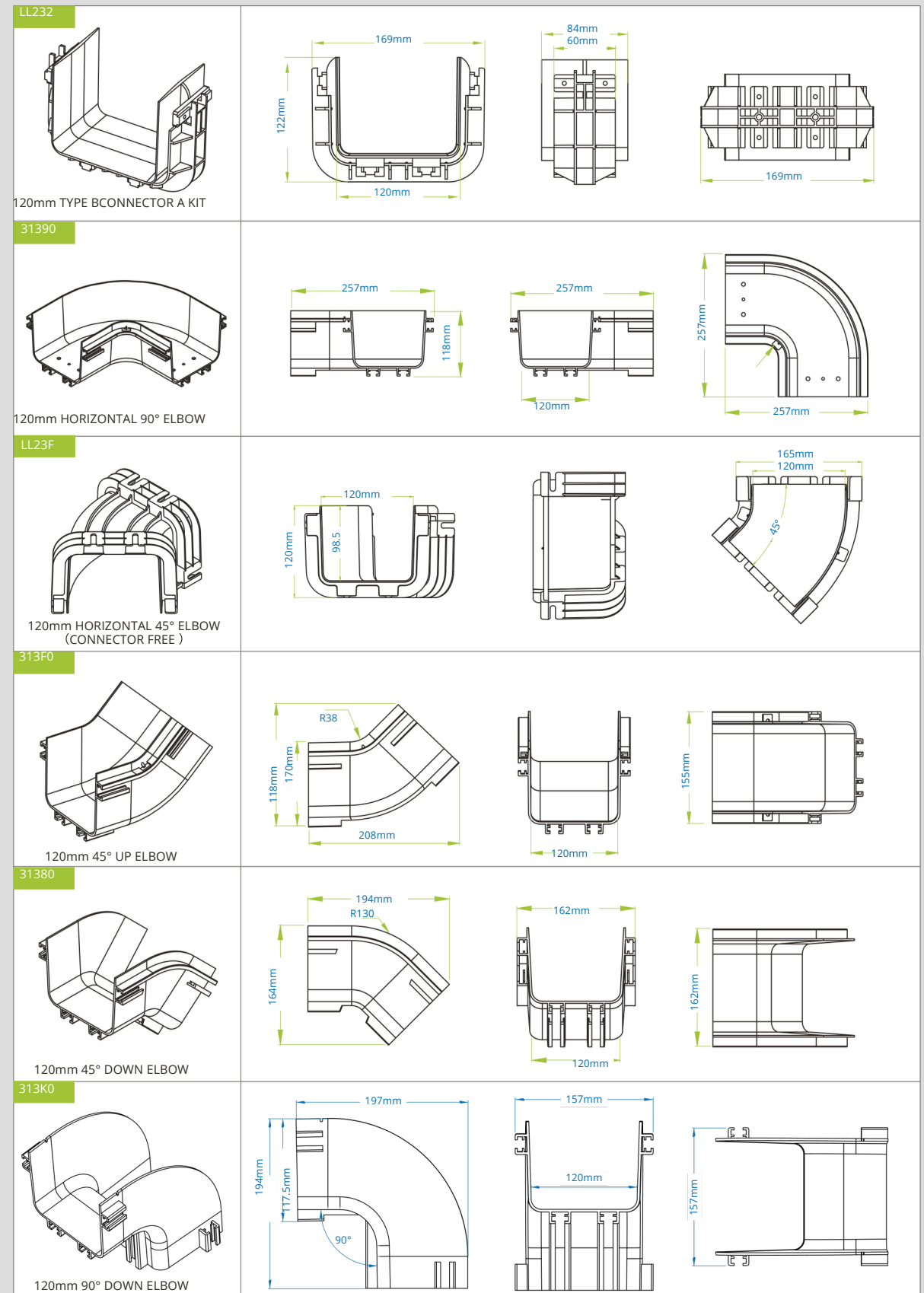


LL23A	120	100	150x25x116	Yellow	PVC/ABS
-------	-----	-----	------------	--------	---------

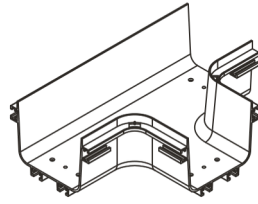
- Used for closing off open ends of the channel or fittings.
- Installation needs T shape screw (LT147 P80) and Twist nut each 4 piece
- Flame retardant: UL94-V0
- Drawing: On Page 2



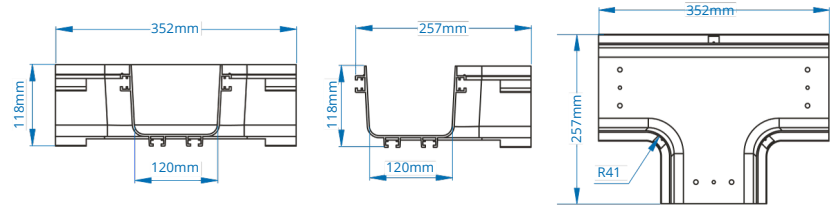
120 SERIES RACEWAY DRAWING



31320



120mm HORIZONTAL TEE

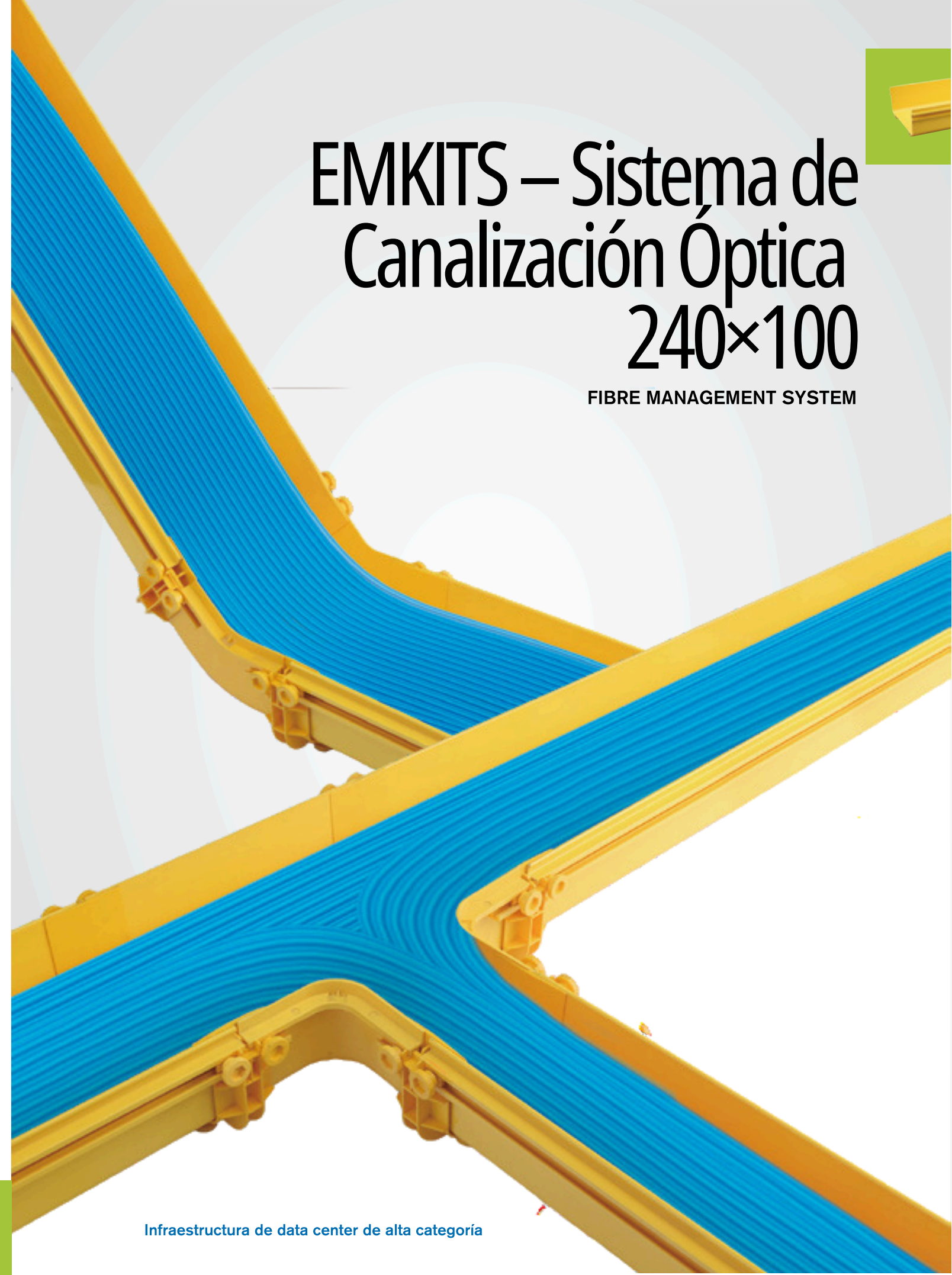


<p>31320</p> <p>120mm HORIZONTAL TEE</p>	
<p>LL23E</p> <p>120mm CUTTING IN TEE</p>	
<p>31340</p> <p>120mm VERTICAL TEE</p>	
<p>31330</p> <p>120mm HORIZONTAL CROSS</p>	
<p>LL23A</p> <p>120mm END CAP KIT</p>	

EMKITS – Sistema de Canalización Óptica

240x100

FIBRE MANAGEMENT SYSTEM



240x100mm FIBRE MANAGEMENT SYSTEM

240MM 45° UP ELBOW



Item No.:	Name	Spec(mm)		Overall (mm)	Color	Material
		W	H			
316F0	240mm 45°Up elbow	240	100	275x210x167	Yellow	PVC/ABS
38652	240mm 45°Up elbow cover	240	—	286x143x95	Yellow	Metal

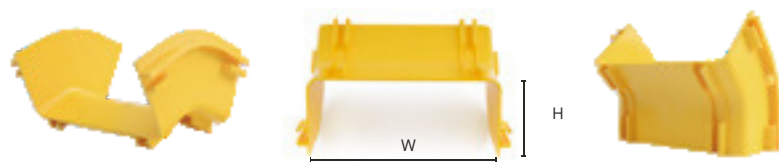
● Attaches to 240mmx100mm channel and/or fitting to create a 45° upward angle from a straight horizontal run. Used with 45° down elbow to change level of a horizontal run.

- 2 Piece of 240mm connector B kit are needed for installation
- Flame retardant: UL94-V0
- Drawing: on page 34



COVER

240MM 45° DOWN ELBOW



Item No.:	Name	Spec(mm)		Overall (mm)	Color	Material
		W	H			
31680	240mm 45°Down elbow	240	100	277x187x161.5	Yellow	PVC/ABS
38653	240mm 45°Down elbow cover	240	—	286x199x100	Yellow	Metal

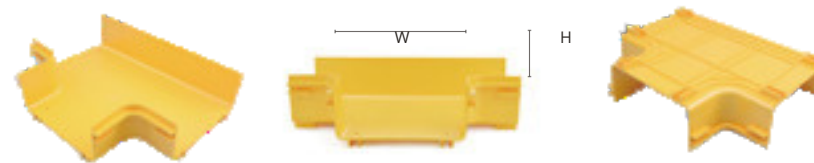
● Attaches to 240mmx100mm channel and/or fitting to create a 45° downward angle from a straight horizontal run. Used with 45° up elbow to change level of a horizontal run.

- 2 Piece of 240mm connector B kit are needed for installation
- Flame retardant: UL94-V0
- Drawing: on page 34



COVER

240MM HORIZONTAL TEE



Item No.:	Name	Spec(mm)		Overall (mm)	Color	Material
		W	H			
31620	240mm Horizontal tee	240	100	276x376.5x119	Yellow	PVC/ABS
38632	240mm Horizontal tee cover	240	—	480x381x37	Yellow	PVC/ABS

● Attaches to 240mmx100mm channel and/or fittings to create a 90° horizontal branch from a straight horizontal run.

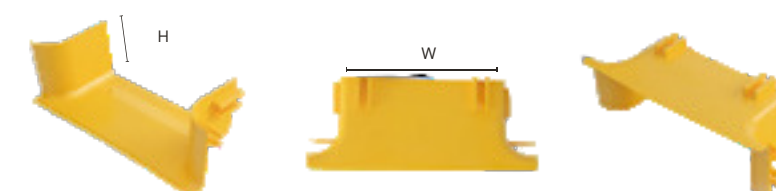
- 3 Piece of 240mm connector B kit are needed for installation
- Flame retardant: UL94-V0
- Drawing: on page 34



COVER

240x100mm FIBRE MANAGEMENT SYSTEM

240MM CUTTING IN TEE



Item No.:	Name	Spec(mm)		Overall (mm)	Color	Material
		W	H			
LL26E	240mm Cutting in tee	240	100	353x132x116	Yellow	PVC/ABS
38634	240mm Cutting in tee cover	240	—	—	Yellow	Metal

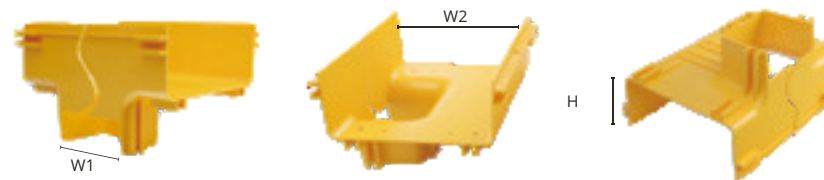
● Attaches to 240mmx100mm channel to create a 90° horizontal elbow from anywhere of a straight horizontal run.

- Installation needs 1 piece of 240 connector B kit, 8 piece of plastic round head screws (LT5B4 P80), T shape screw and twist head nut each 2 piece
- Flame retardant: UL94-V0
- Drawing: on page 35



COVER

240MM TO 120MM VERTICAL TEE



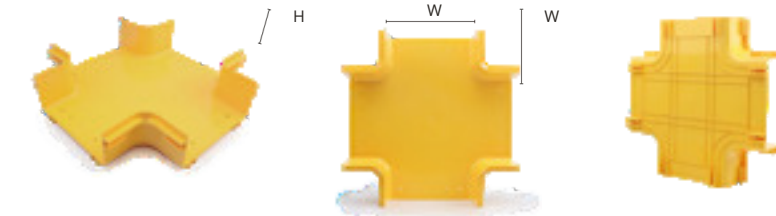
Item No.:	Spec(mm)			Overall (mm)	Color	Material
	W1	W2	H			
36340	240	120	100	300x277x190	Yellow	PVC/ABS

● Attaches to 240mmx100mm channel and/or fittings to create a 120mmx100mm 90° vertical drop from a horizontal run.

- 2 Piece of 240mm connector B kit are needed for installation
- Flame retardant: UL94-V0
- Drawing: on page 35



240MM HORIZONTAL CROSS



Item No.:	Name	Spec(mm)		Overall (mm)	Color	Material
		W	H			
31630	240mm Horizontal cross	240	100	476x476x119	Yellow	PVC/ABS
38644	240mm Horizontal cross cover	240	—	480x480x37	Yellow	PVC/ABS

● Attaches to 240mmx100mm channel and/or fittings to create a horizontal four way cross intersection with two 240mmx100mm exits.

- Installation needs 4 piece of 240mm connector B kit
- Flame retardant: UL94-V0
- Drawing: on page 35



COVER

240MM END CAP KIT



Item No.:	Spec(mm)		Overall (mm)	Color	Material
	W	H			
LL26A	240	25	270x25x115.5	Yellow	PVC/ABS

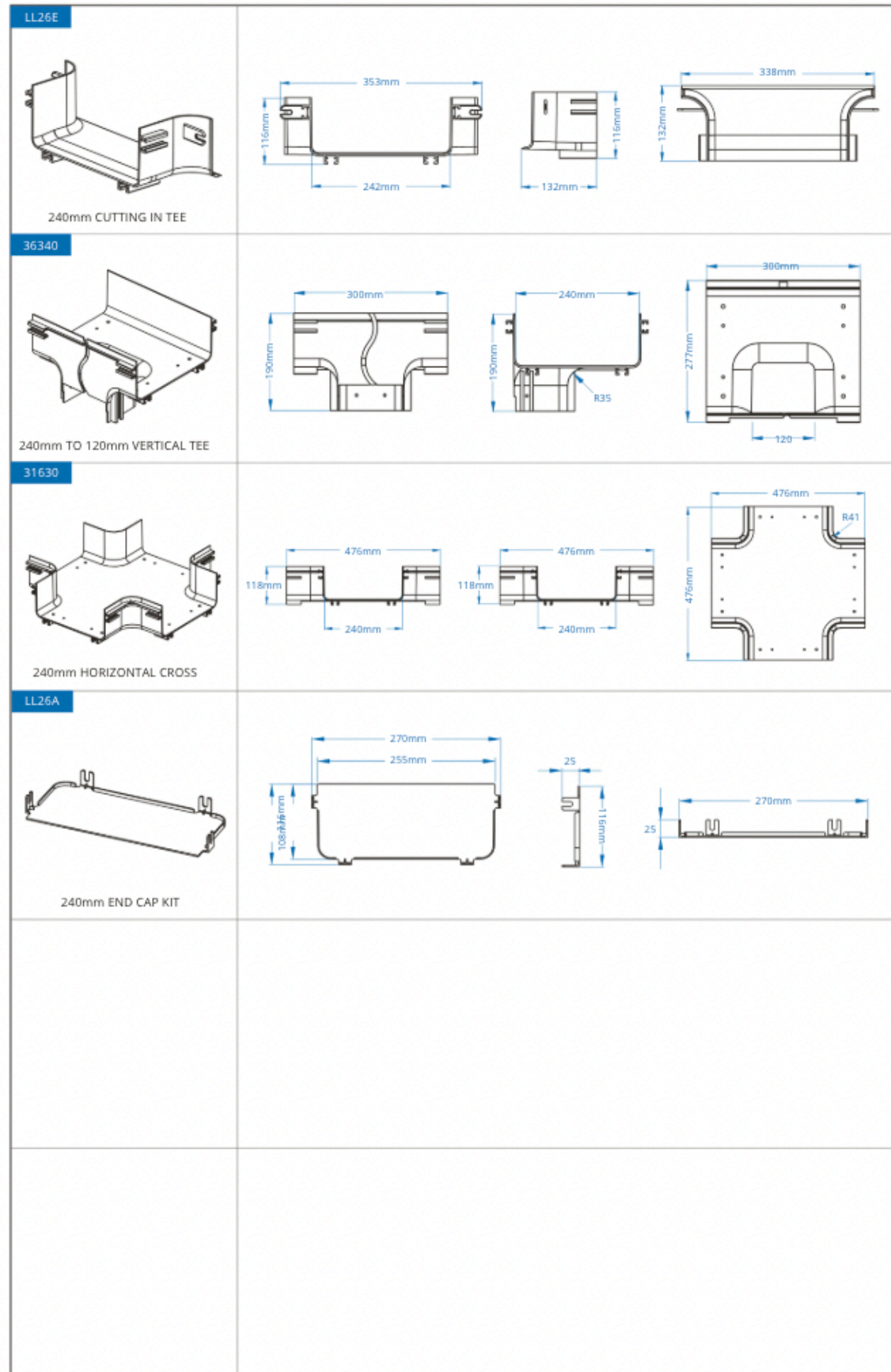
- Used for closing off open ends of the channel or fittings.
- Installation needs T shape screw and twist head nut each 4 piece
- Flame retardant: UL94-V0
- Drawing: on page 35



240 SERIES RACEWAY DRAWING

<p>LL262</p> <p>240mm TYPE BCONNECTOR KIT</p>	
<p>31690</p> <p>240mm HORIZONTAL 90° ELBOW</p>	
<p>LL26F</p> <p>240mm HORIZONTAL 45° ELBOW (FREECONNECTOR A KIT)</p>	
<p>316F0</p> <p>240mm 45° UP ELBOW</p>	
<p>31680</p> <p>240mm 45° DOWN ELBOW</p>	
<p>31620</p> <p>240mm HORIZONTAL TEE</p>	

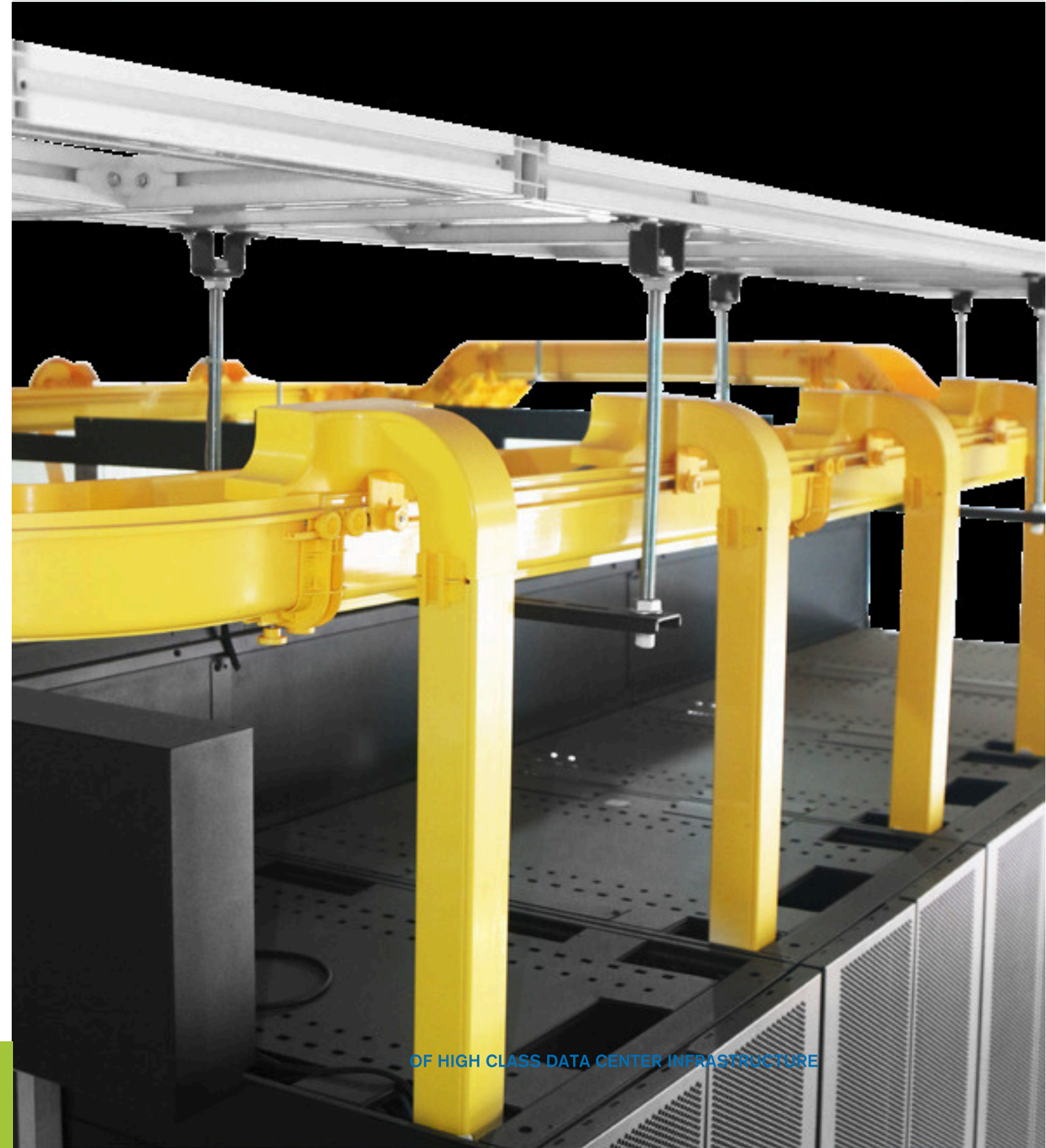




EMKITS – Sistema de Canalización Óptica 360x100



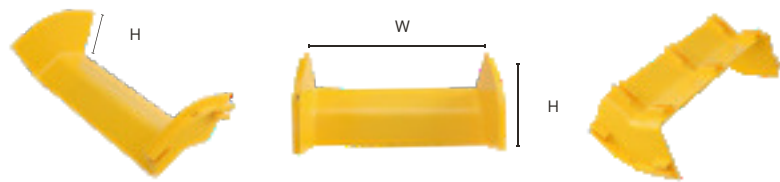
FIBRE MANAGEMENT SYSTEM



OF HIGH CLASS DATA CENTER INFRASTRUCTURE

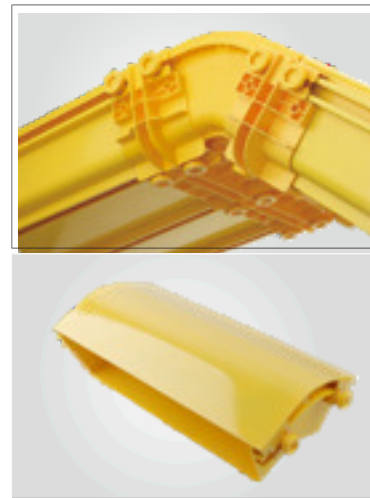
360x100mm FIBRE MANAGEMENT SYSTEM

360MM 45° DOWN ELBOW



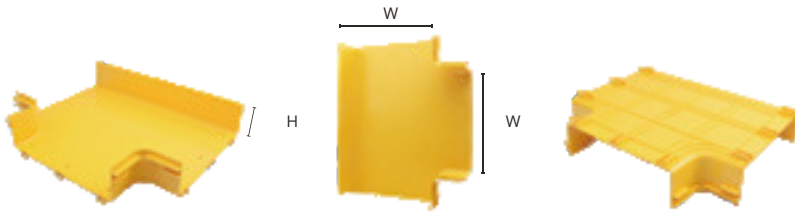
Item No.:	Name	Spec(mm)		Overall (mm)	Color	Material
		W	H			
31880	360mm 45°Down Elbow	360	100	493x493x118	Yellow	PVC/ABS
38853	360mm 45°Down Elbow cover	360	—	606x504x37	Yellow	Metal

- Attaches to 360mmx100mm channel and/or fitting to create a 45° downward angle from a straight horizontal run. Used with 45° up elbow to change level of a horizontal run.
- Installation needs 2 piece of 360 type A connectors
- Flame retardant: UL94-V0
- Drawing: on page 41



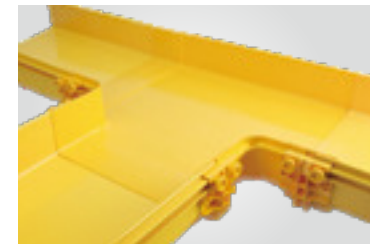
COVER

360MM HORIZONTAL TEE



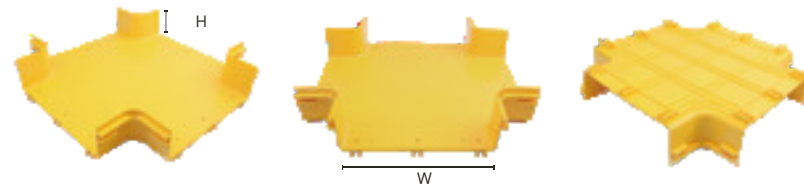
Item No.:	Name	Spec(mm)		Overall (mm)	Color	Material
		W	H			
31820	360mm Horizontal tee	360	100	493x493x118	Yellow	PVC/ABS
38833	360mm Horizontal tee cover	360	—	606x504x37	Yellow	PVC/ABS

- Attaches to 360mmx100mm channel and/or fittings to create a 90°horizontal branch from a straight horizontal run.
- Installation needs 3 piece of 360 type A connectors
- Flame retardant: UL94-V0
- Drawing: on page 41



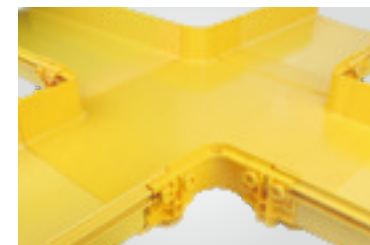
COVER

360MM HORIZONTAL CROSS



Item No.:	Name	Spec(mm)		Overall (mm)	Color	Material
		W	H			
31830	360mm Horizontal cross	360	100	590x590x118	Yellow	PVC/ABS
38844	360mm Horizontal cross cover	360	—	606x606x37	Yellow	PVC/ABS

- Attaches to 360mmx100mm channel and/or fittings to create a horizontal our way cross intersection with two 360mmx100mm exits.
- Installation needs 4 piece of 360 type A connectors
- Flame retardant: UL94-V0
- Drawing: on page 41



COVER

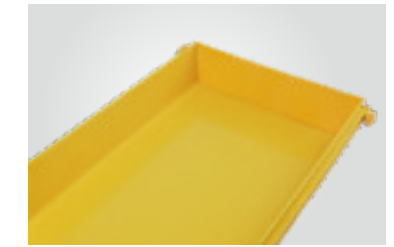
360x100mm FIBRE MANAGEMENT SYSTEM

360MM END CAP KIT

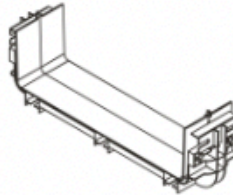
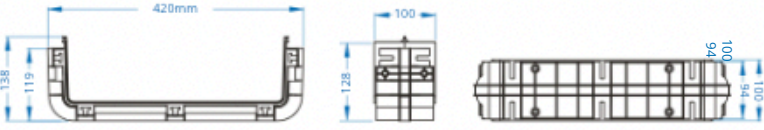

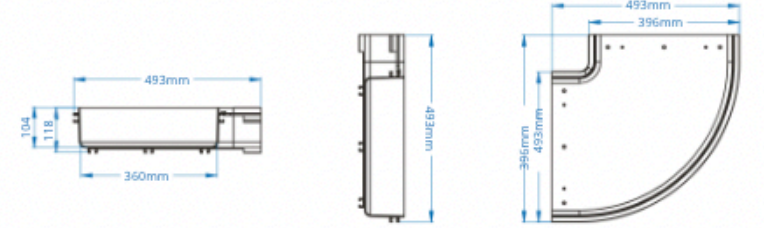
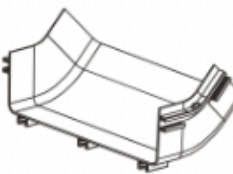
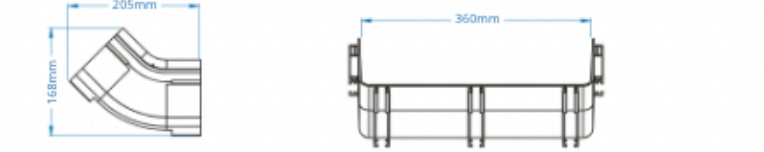

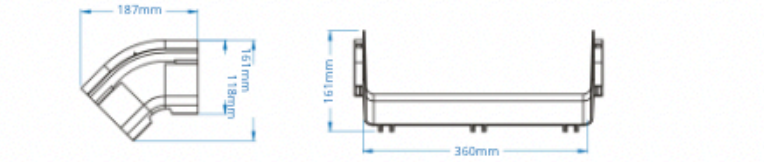

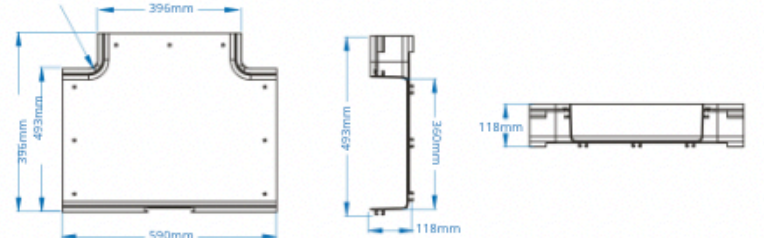
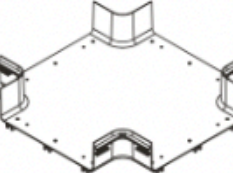
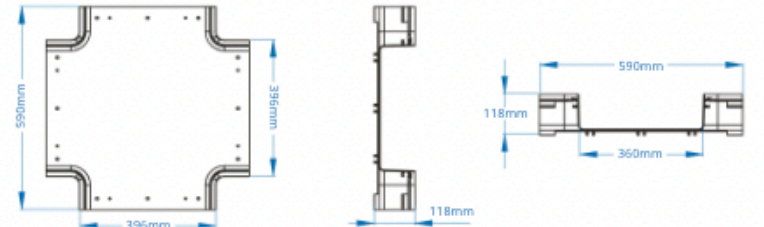


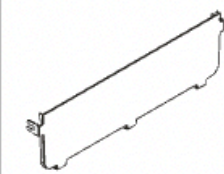
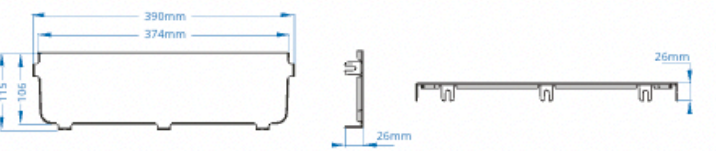
Item No.:	Spec(mm)		Overall (mm)	Color	Material
	W	H			
LL28A	360	100	390x26.5x115	Yellow	PVC/ABS

- Used for closing off open ends of the channel or fittings.
- Installation needs T shape screw and twist head nut each 5 piece
- Flame retardant: UL94-V0
- Drawing: on page 42



360 SERIES RACEWAY DRAWING

<p>LL281</p>  <p>360mm TYPE A CONNECTOR A KIT</p>	
<p>31890</p>  <p>360mm HORIZONTAL 90° ELBOW</p>	
<p>318F0</p>  <p>360mm 45° UP ELBOW</p>	
<p>31880</p>  <p>360mm 45° DOWN ELBOW</p>	
<p>31820</p>  <p>360mm HORIZONTAL TEE</p>	
<p>31830</p>  <p>360mm HORIZONTAL CROSS</p>	

<p>316F0</p>  <p>360mm 45° UP ELBOW</p>	

360mm HORIZONTAL CROSS

EMKITS – Sistema de Canalización Óptica 600×100

Soluciones modulares de canalización para proyectos de data center y telecomunicaciones

EMKITS – Sistema de Canalización Óptica



OF HIGH CLASS DATA CENTER INFRASTRUCTURE

600×100mm FIBRE MANAGEMENT SYSTEM



600×100

FIBRE MANAGEMENT SYSTEM ORDER INFORMATION

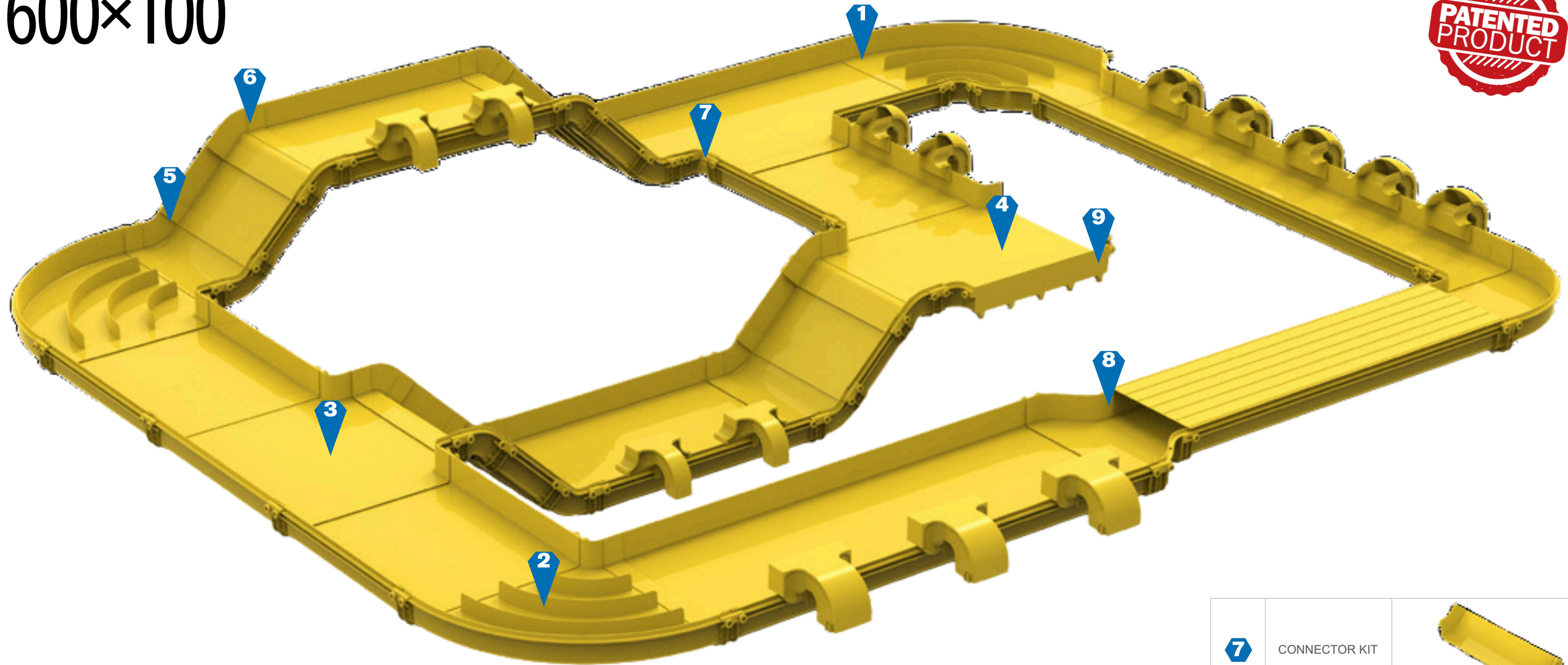
No.	Description	Item no.:	Page
1	600 SERIES RACEWAY	3A900	55
2	600mm TYPE A CONNECTOR KIT	319A0	56
3	600MM HORIZONTAL 90° ELBOW	31990	57
4	600mm HORIZONTAL TEE	31920	58
5	600MM HORIZONTAL 90° CROSS	31930	59
6	600MM CUT-IN TEE	312E0	60
7	600MM 45° UP ELBOW	319F0	61
8	600mm 45° DOWN ELBOW	31980	62
9	600 TO 360 ADAPTER	36610	63
10	600mm END CAP KIT	312G0	64

EMKITS- Sistema de Canalización Óptica

600×100

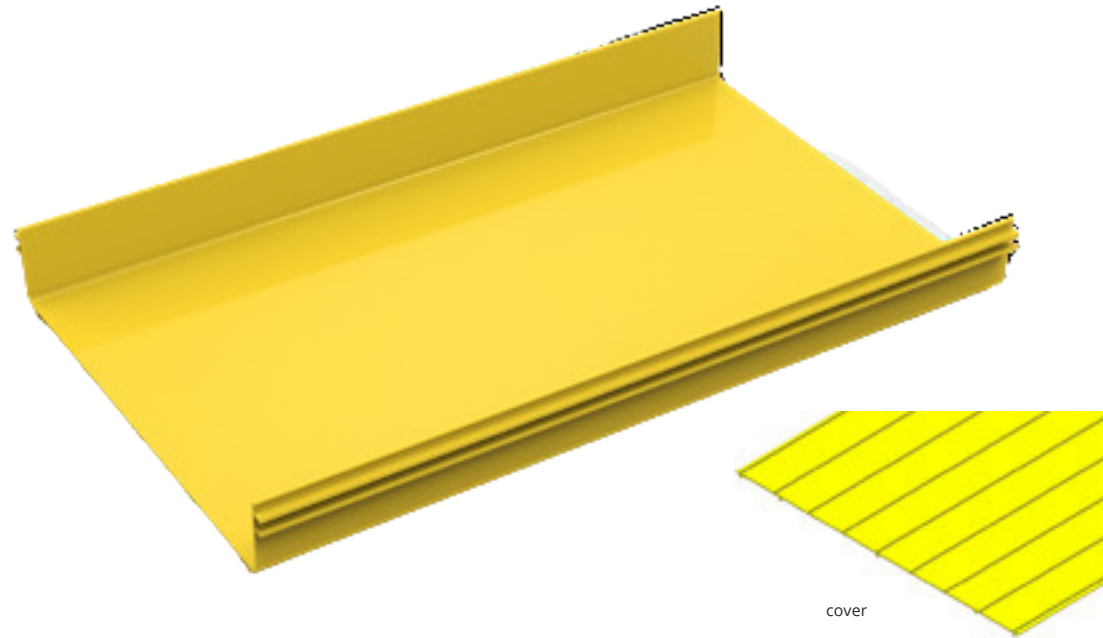


EMKITS – Sistema de Canalización Óptica



1	CONNECTOR KIT		3	HORIZONTAL TEE		5	CUTTING IN TEE		7	CONNECTOR KIT	
2	HORIZONTAL 90° ELBOW		4	HORIZONTAL CROSS		6	ADAPTER		8	HORIZONTAL 90° ELBOW	
									9	END CAP KIT	

600 SERIES RACEWAY



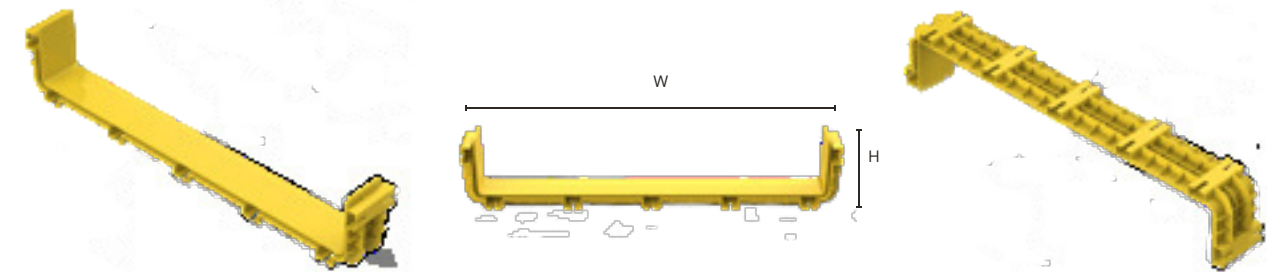
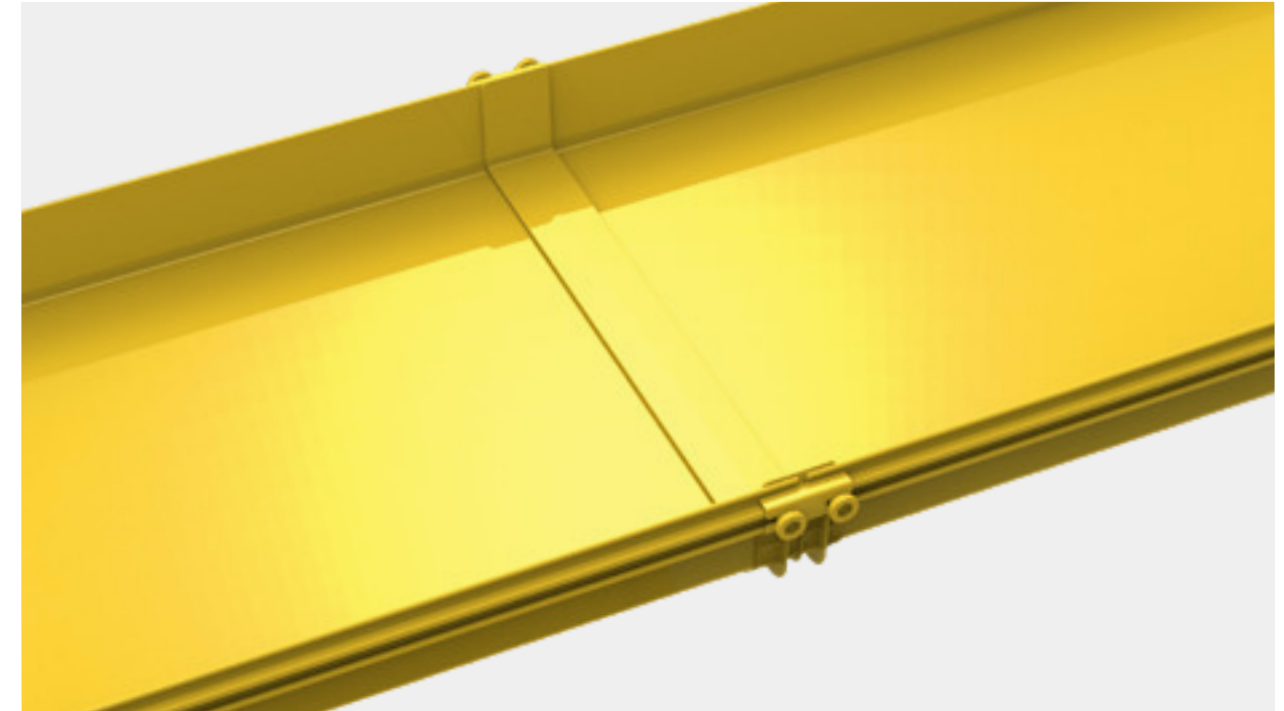
3A900	600 Straight section	600	100	2000	636x118x2000	Yellow	Flame retardant
38911	600 Straight section cover	-	-	-	634x12.5x2000	Yellow	Flame retardant

● Used to carry the cables horizontally throughout the system. Accepts fittings.

RECOMMENDED DENSITY

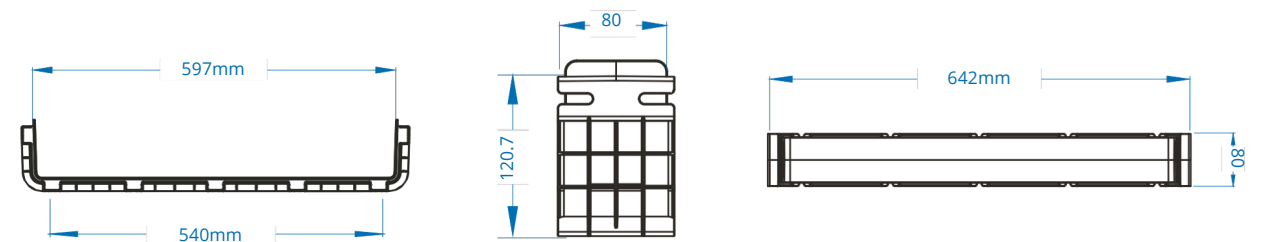
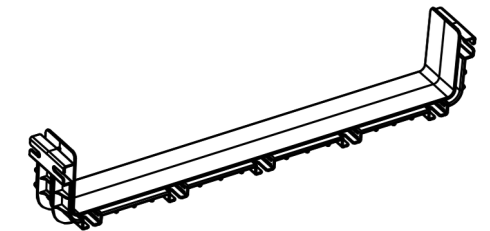
Density	Channel Size	Weight (kg)	Length (m)	Volume (m³)	Area (m²)	Height (mm)
50%	600mmx100mm	11700	7500	3300	1100	760
75%	600mmx100mm	17550	11250	4950	1650	1140
100%	600mmx100mm	23400	15000	6600	2200	1520

600MM TYPE A CONNECTOR KIT

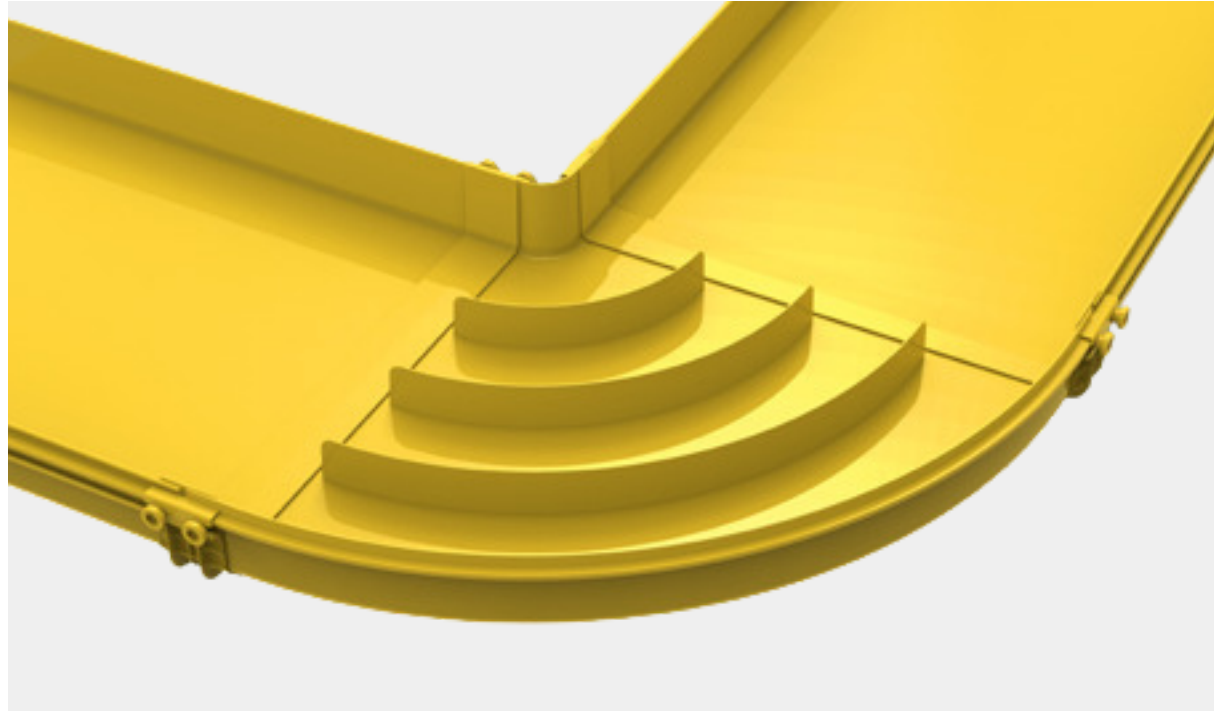


Item No.:	Name	Spec(mm)		Packaging (mm)	Color	Material
		W	H			
319A0	600mm TYPE A CONNECTOR KIT	600	100	642x80x121	Yellow	Flame retardant

- Quickly joins two sections of channel and/or fittings. Tighten and release bolts by fingers, absolutely toolless
- Installation needs plastic round head screw and square nut each 14 piece
- Flame retardant: UL94-V0



600MM HORIZONTAL 90° ELBOW

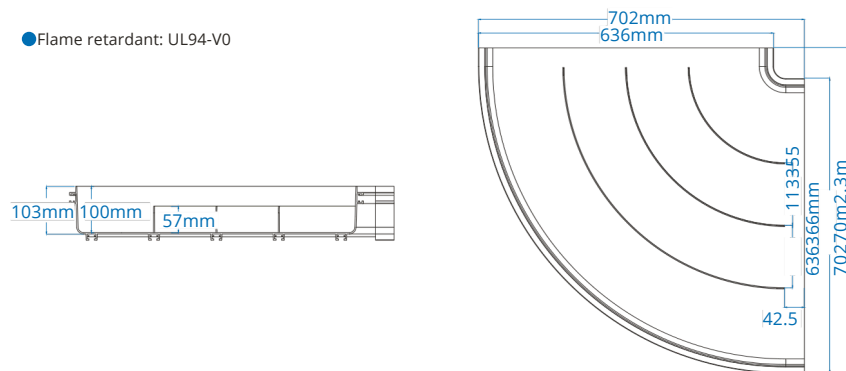


Item No.:	Name	Spec(mm)		Packaging (mm)	Color	Material
		W	H			
31990	600mm Horizontal 90° elbow	600	100	702x702x116.5	Yellow	Flame retardant
38991	600mm Horizontal 90° elbow cover			709.5x709.5x40	Yellow	metal

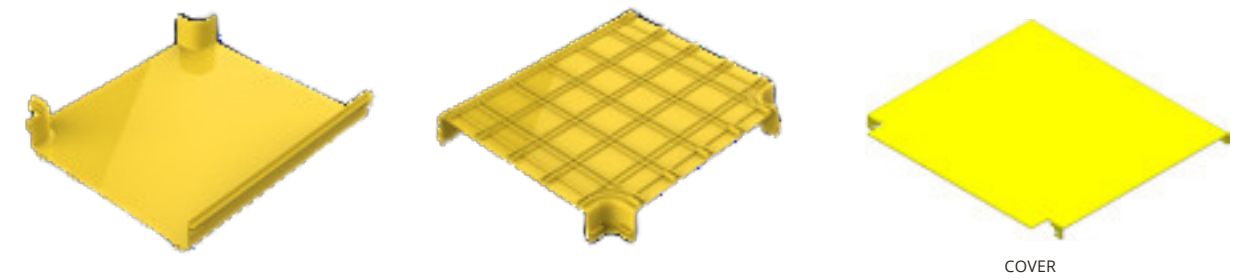
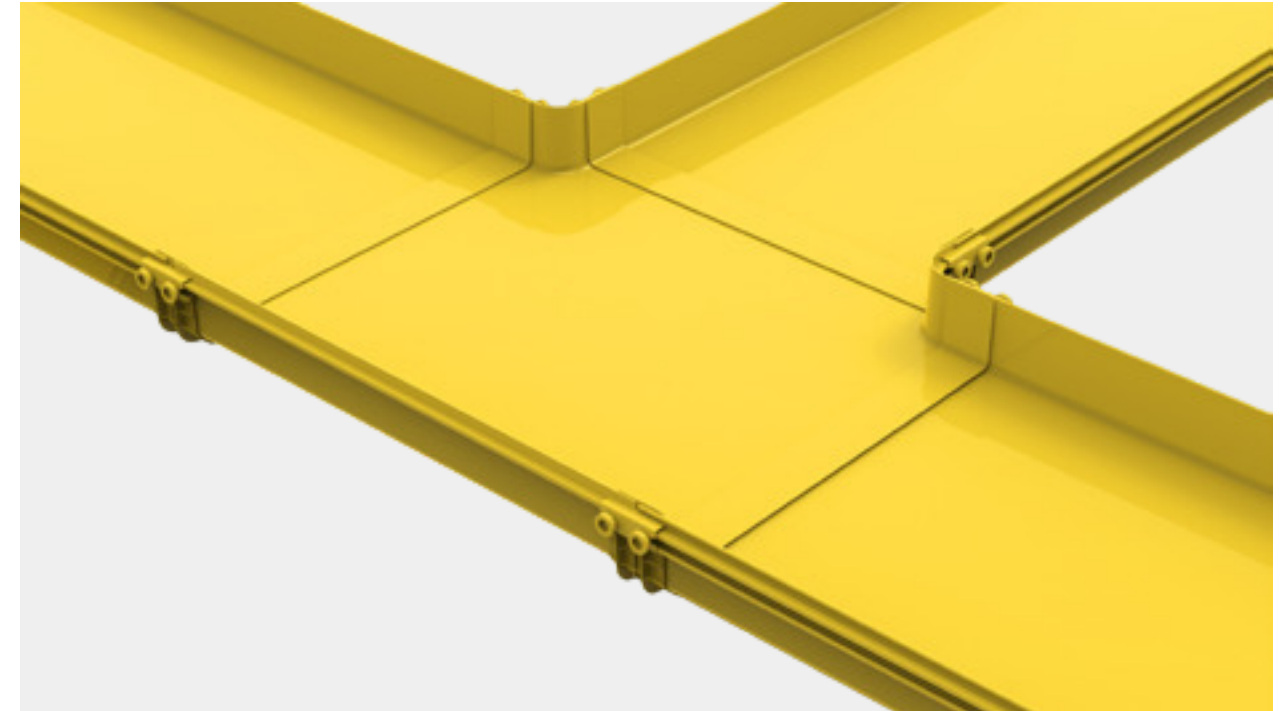
● Attaches to 600mmx100mm channel and/or fittings to create a 90° horizontal elbow from a straight horizontal run.

● 2 Connectors are needed for installation

● Flame retardant: UL94-V0



600MM HORIZONTAL TEE

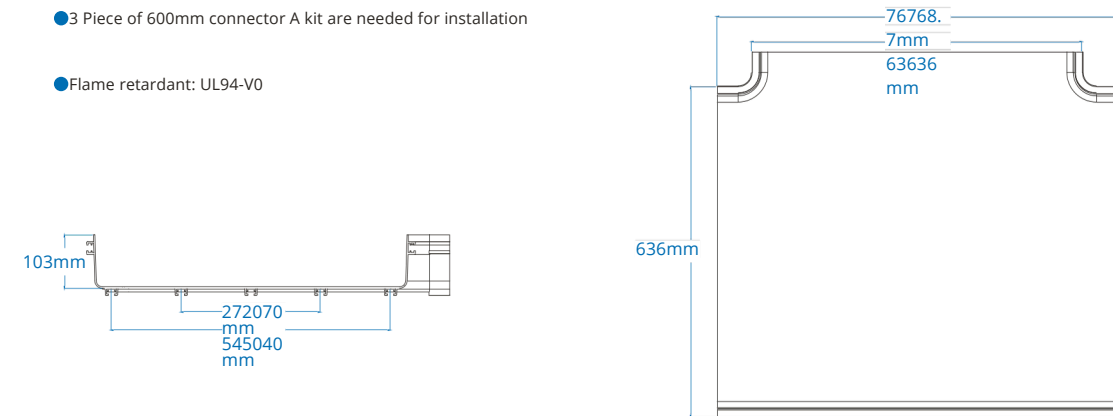


Item No.:	Name	Spec(mm)		Packaging (mm)	Color	Material
		W	H			
31920	600mm Horizontal Tee	600	100	768x768x116.5	Yellow	Flame retardant
38931	600mm Horizontal Tee Cover			770.5x709.5x40	Yellow	metal

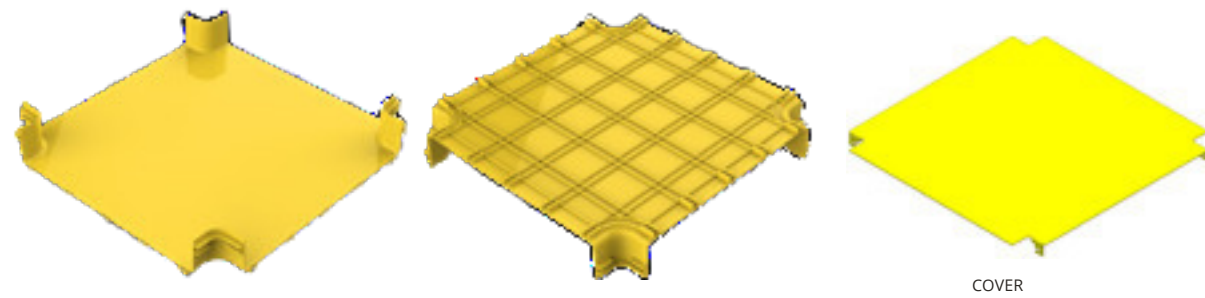
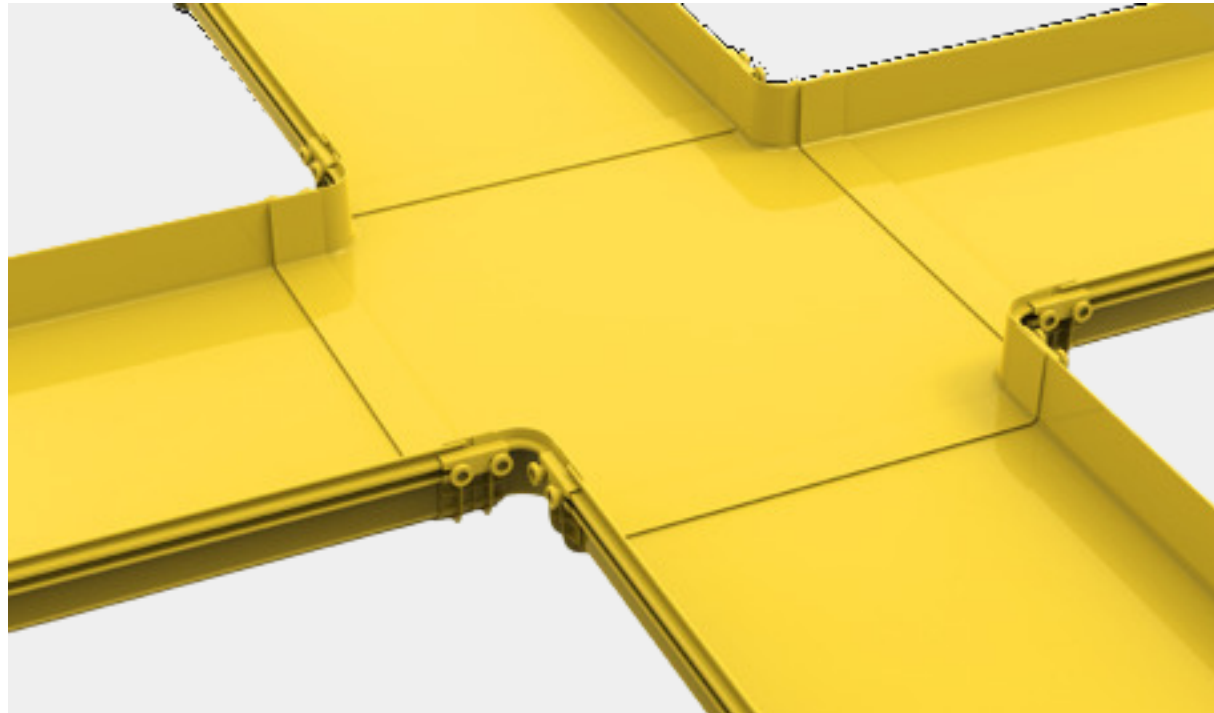
● Attaches to 240mmx100mm channel and/or fittings to create a 90° horizontal branch from a straight horizontal run.

● 3 Piece of 600mm connector A kit are needed for installation

● Flame retardant: UL94-V0



600MM HORIZONTAL 90° CROSS



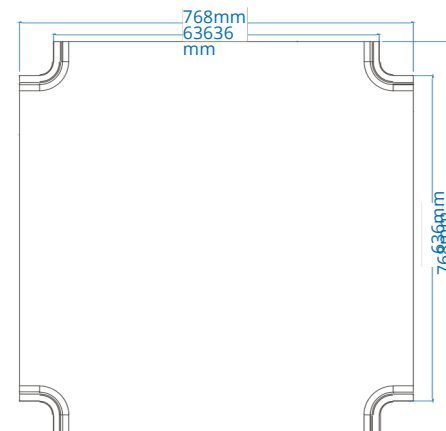
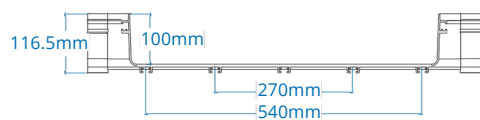
Item No.:	Name	Spec(mm)		Packaging (mm)	Color	Material
		W	H			
31930	600mm Horizontal 90° Cross	600	100	768x768x116.5	Yellow	Flame retardant
38942	600mm Horizontal 90° Cross Cover			770.5x770.5x40	Yellow	metal

● Attaches to 600mmx100mm channel and/or fittings to create a horizontal four way cross

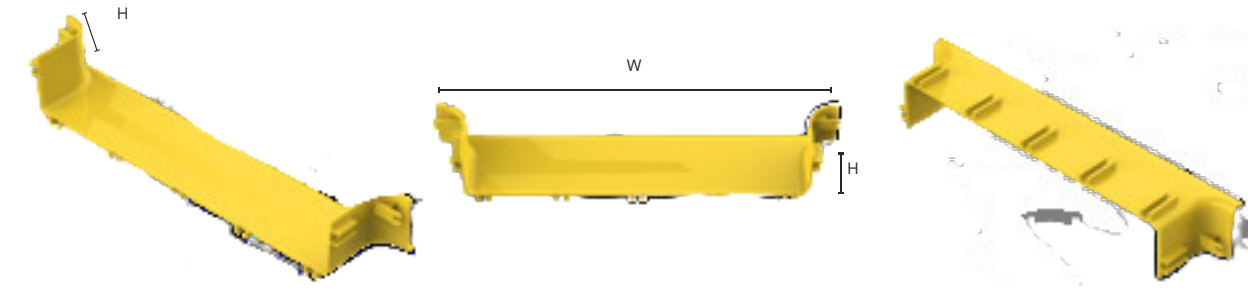
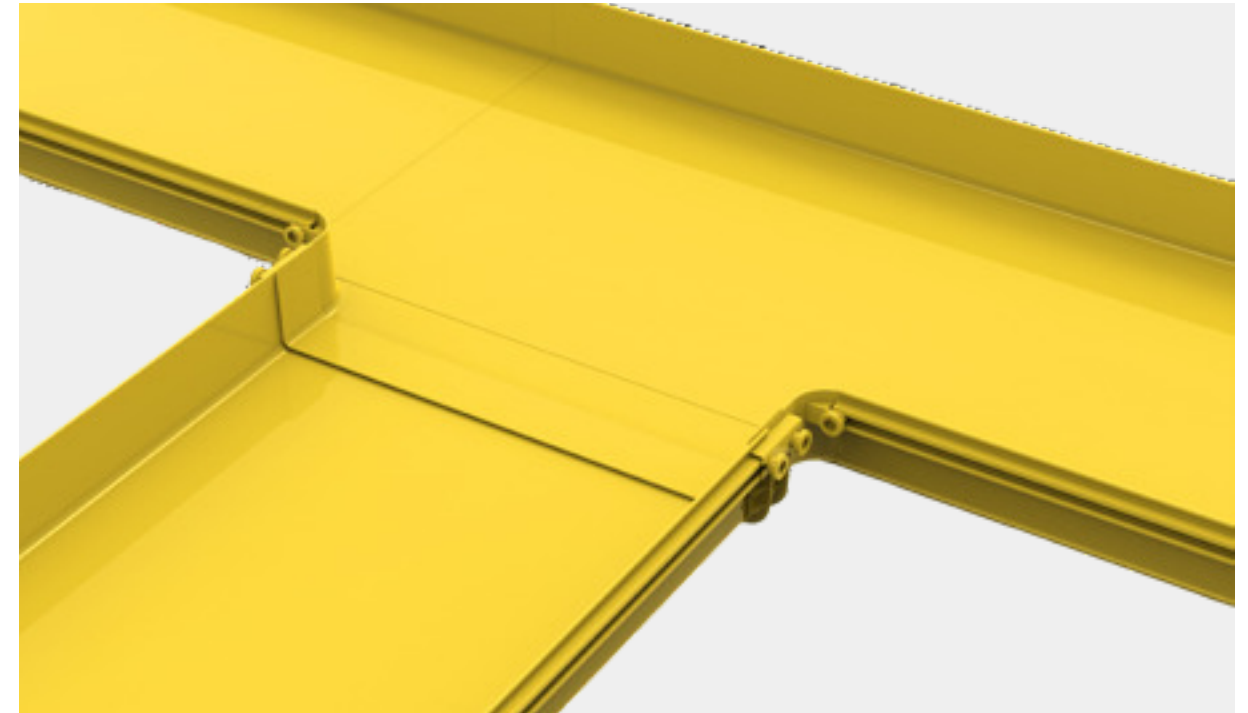
intersection with two 600mmx100mm exits.

● Installation needs 4 piece of 600mm connector A kit

● Flame retardant: UL94-V0



600MM CUT-IN TEE



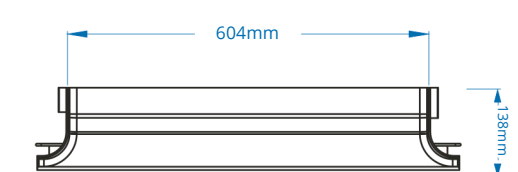
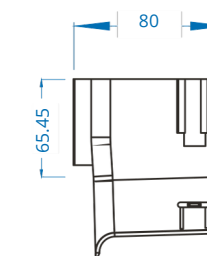
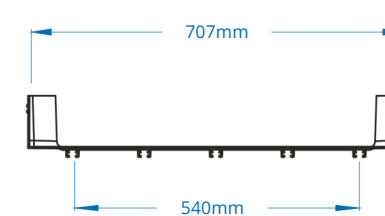
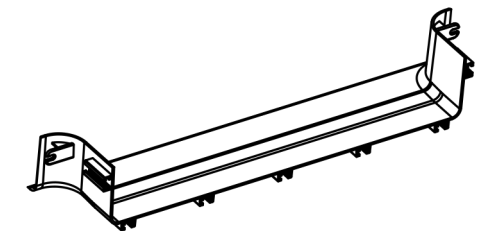
Item No.:	Name	Spec(mm)		Packaging (mm)	Color	Material
		W	H			
321E0	600mm Cut-in tee	600	100	712x138x116	Yellow	Flame retardant

● Attaches to 600mmx100mm channel to create a 90° horizontal branch from

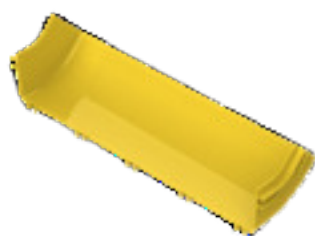
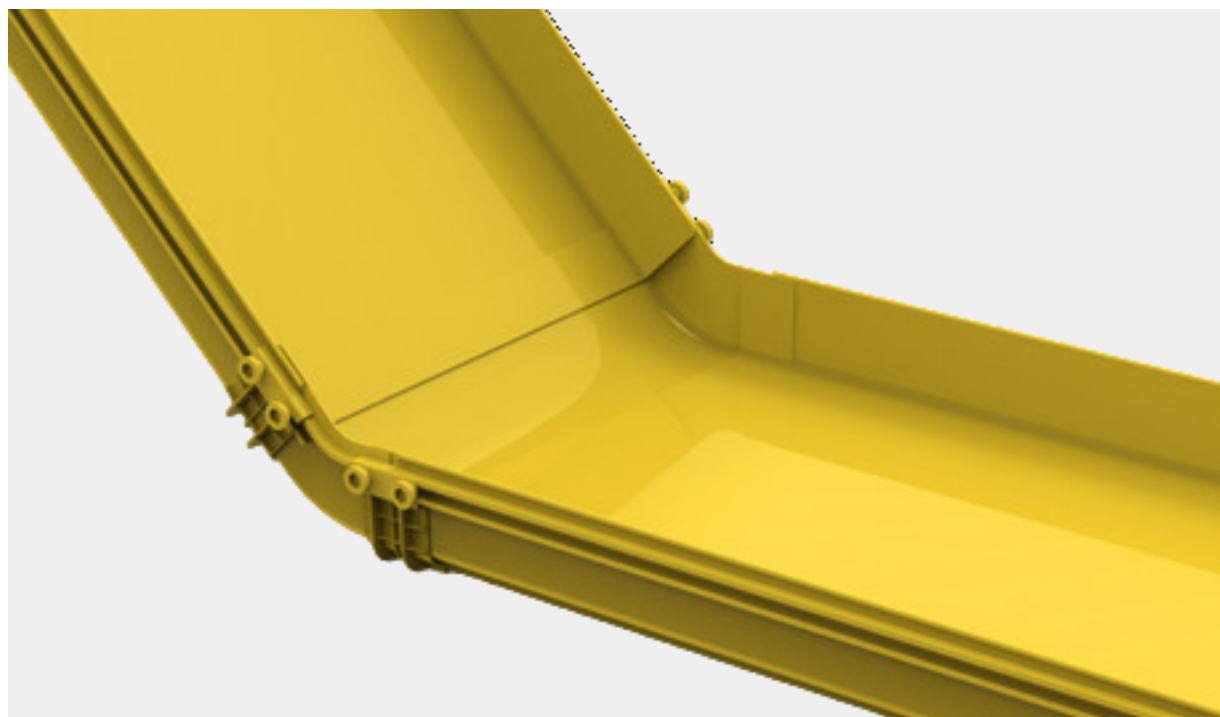
a straight horizontal run.

● Installation needs one piece of 600 type A connector

● Flame retardant: UL94-V0



600MM 45° UP ELBOW



COVER

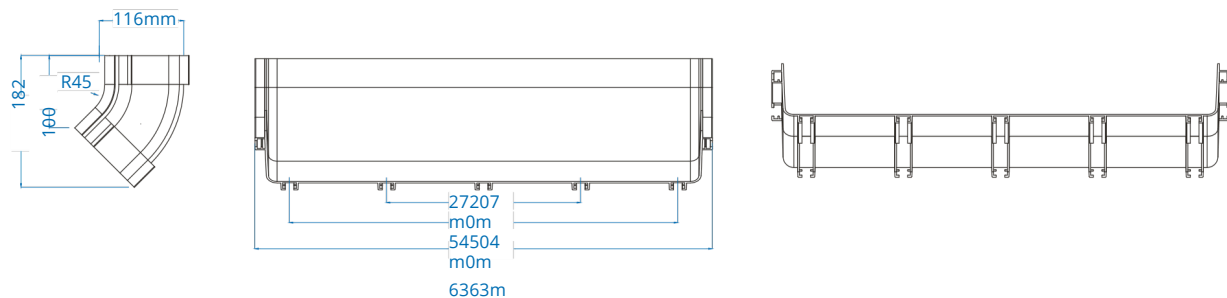
Item No.:	Name	Spec(mm)		Packaging (mm)	Color	Material
		W	H			
319F0	600mm 45° UP ELBOW	600	100	636x182x182	Yellow	Flame retardant
38952	600mm 45° UP ELBOW COVER			648.5x118.5x82	Yellow	metal

● Attaches to 600mmx100mm channel and/or fitting to create a 45 ° upward angle from a straight horizontal run. Used with

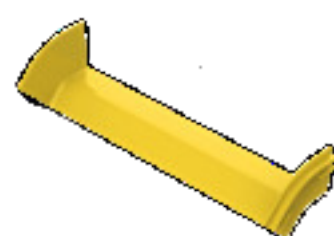
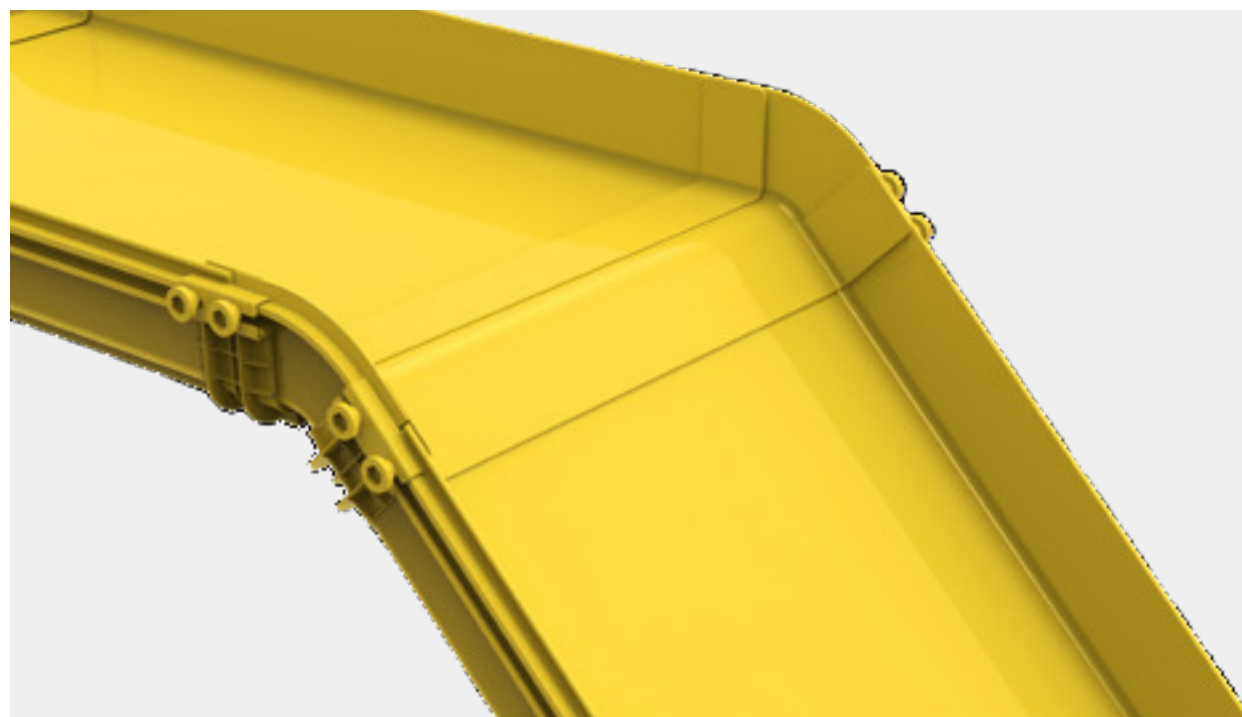
45° down elbow to change level of a horizontal run.

● Installation needs 2 piece of 600mm connector A kit

● Flame retardant: UL94-V0



600MM 45° DOWN ELBOW



COVER

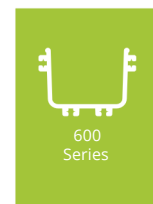
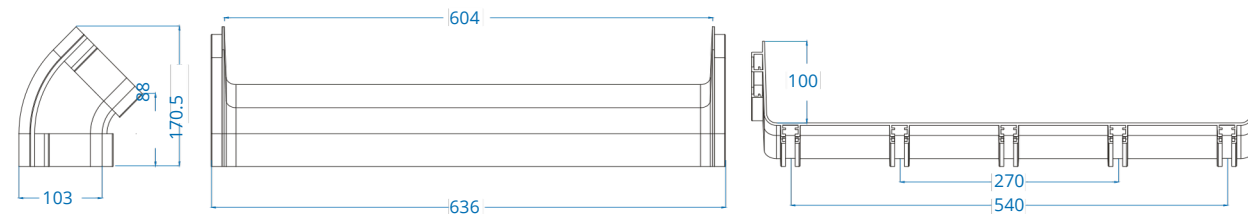
Item No.:	Name	Spec(mm)		Packaging (mm)	Color	Material
		W	H			
31980	600mm 45° DOWN ELBOW	600	100	641x22.5x121	Yellow	Flame retardant
38953	600mm 45° DOWN ELBOW cover			648.5x174.5x95	Yellow	metal

● Attaches to 240mmx100mm channel and/or fitting to create a 45 ° downward angle from a straight horizontal run. Used

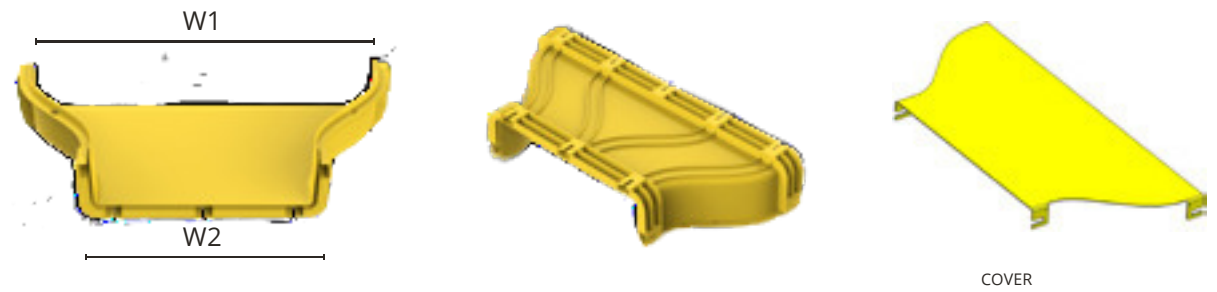
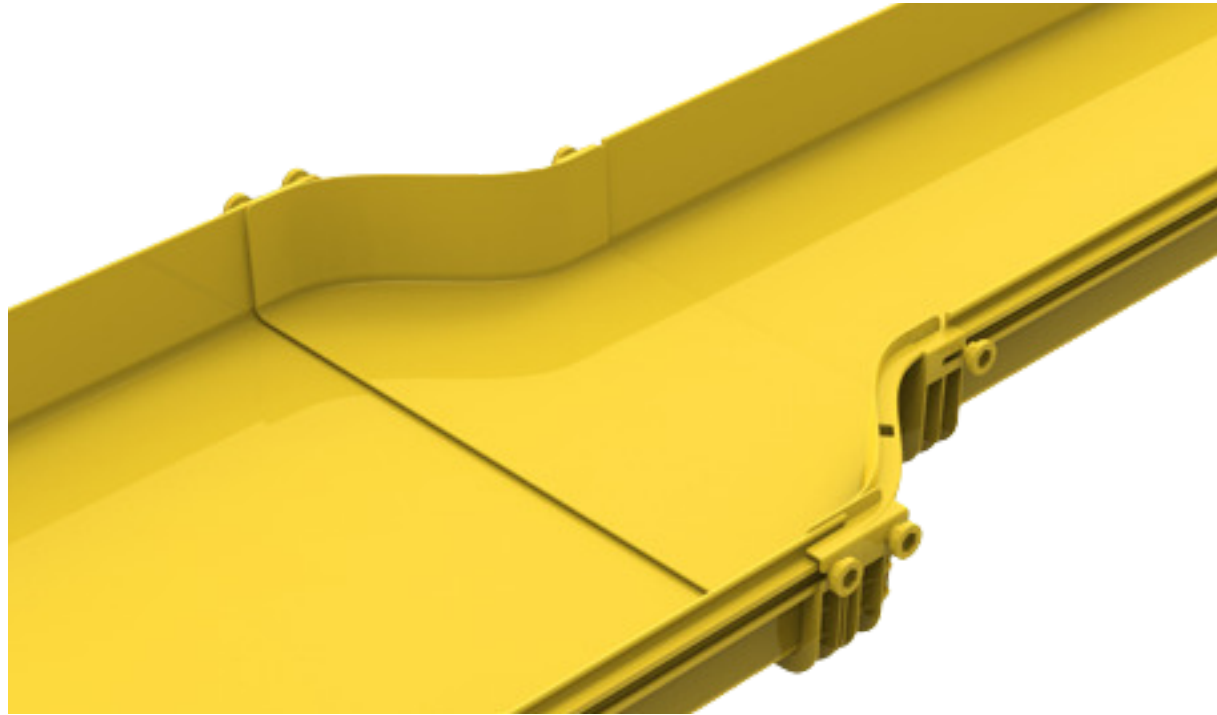
with 45° up elbow to change level of a horizontal run.

● Installation needs 2 piece of 600mm connector A kit

● Flame retardant: UL94-V0



600 TO 360 ADAPTER

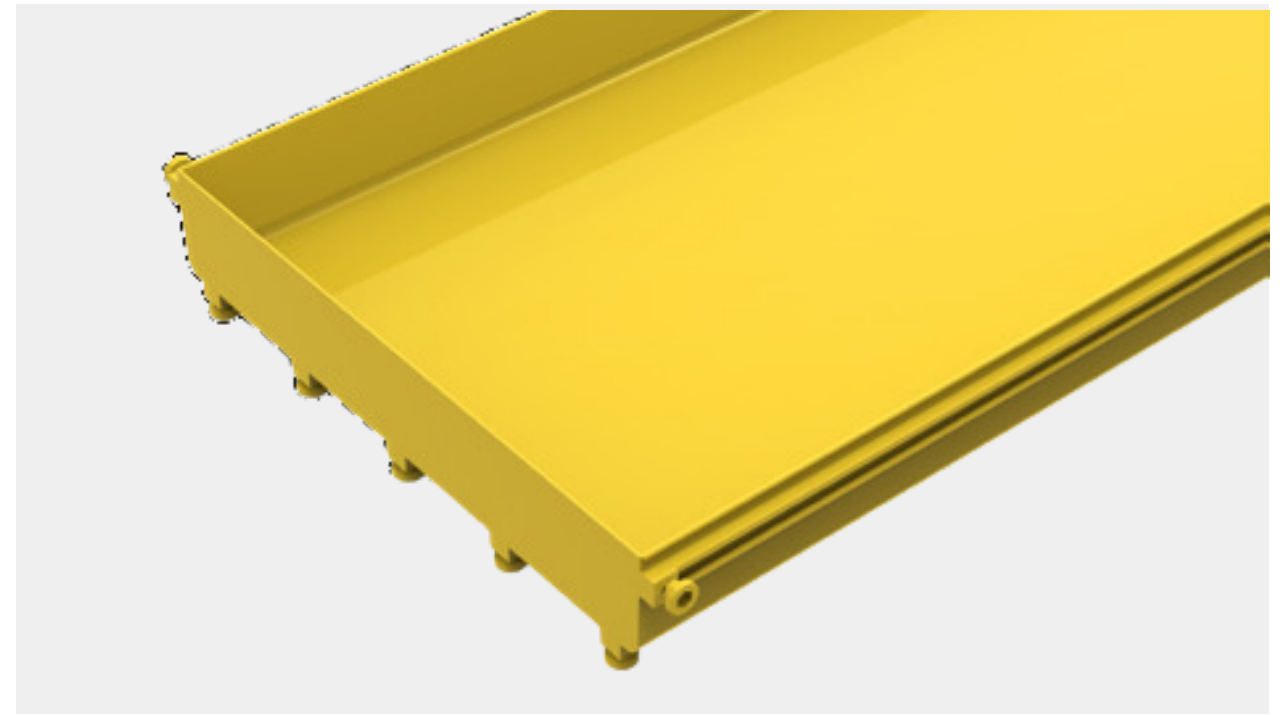


Item No.:	Name	Spec(mm)			Packaging (mm)	Color	Material
		W1	W2	H			
36610	600 TO 360 ADAPTER	600	360	100	642x281x121	Yellow	Flame retardant
38E22	600 TO 360 ADAPTER cover				646.5x281.5x40	Yellow	metal

Attaches any 600mmx100mm fitting or channel to any 360mmx100mm fitting or channel.

Installation needs 600 type A connector and 360 type B connector each 1 piece

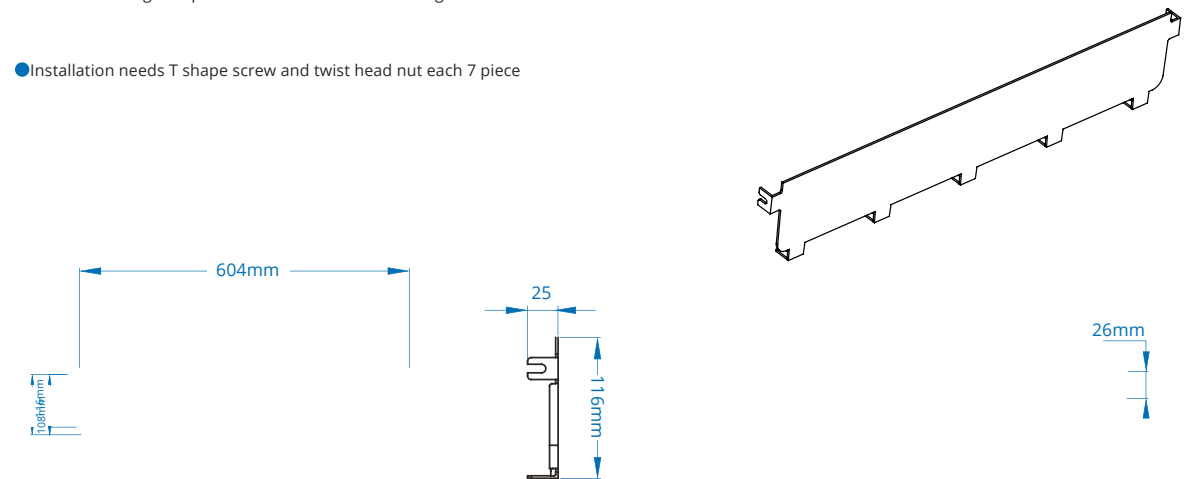
600MM END CAP KIT



Item No.:	Name	Spec(mm)		Packaging (mm)	Color	Material
		W	H			
312G0	600mm END CAP KIT	600	100	641x22.5x121	Yellow	Flame retardant

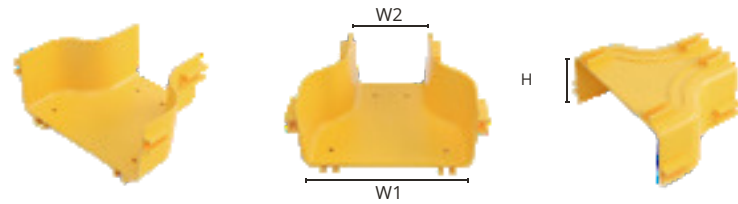
● Used for closing off open ends of the channel or fittings.

● Installation needs T shape screw and twist head nut each 7 piece



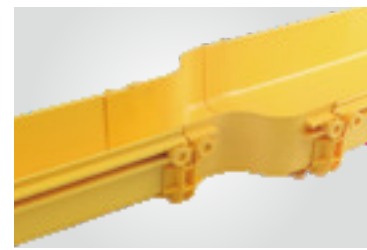
ADAPTOR

240 TO 120 ADAPTER



Item No.:	Name	Spec(mm)			Overall (mm)	Color	Material
		W1	W2	H			
321E0	240 to 120 Adapter	240	120	100	205x277x119	Yellow	PVC/ABS
38B31	240 to 120 Adapter Cover	240	120	—	290x209x40	Yellow	Metal

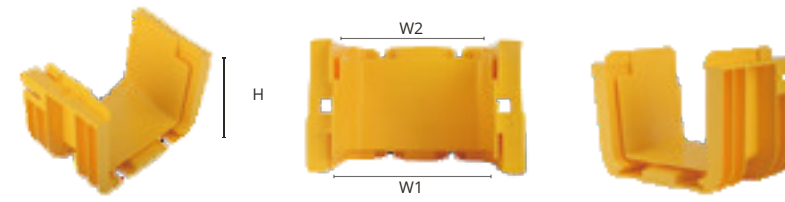
- Attaches any 240mmx100mm fitting or channel to any 120mmx100mm fitting or channel.
- Installation needs 240 type B connector and 120 type B connector each 1 piece
- Flame retardant: UL94-V0



COVER

ADAPTOR

ADAPTOR FROM PANDUIT 100MM TO LEPIN 120



Item No.:	Name	Spec(mm)		Overall (mm)	Color	Material
		W1	W2			
36150	Adapter From PANDUIT 100mm to LEPIN 120mm	120	100	165x100x121	Yellow	PVC/ABS
	Adapter From PANDUIT 100mm to LEPIN 120mm Cover	120	100		Yellow	Metal

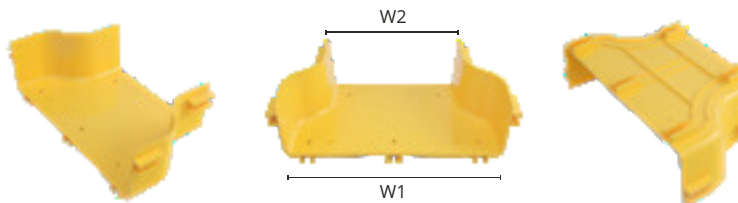
- Convert Panduit system to Lepin's with this adaptor
- Installations needs just screws
- Flame retardant: UL94-V0



COVER



360 TO 240 ADAPTER



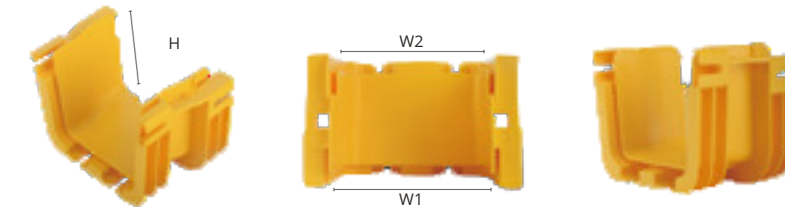
Item No.:	Name	Spec(mm)			Overall (mm)	Color	Material
		W1	W2	H			
36510	360 to 240 Adapter	360	240	100	396x205x118	Yellow	PVC/ABS
38C21	360 to 240 Adapter Cover	360	240	—	406.5x210x40	Yellow	Metal

- Attaches any 360mmx100mm fitting or channel to any 240mmx100mm fitting or channel.
- Installation needs 360 type A connector and 240 type B connector each 1 piece
- Flame retardant: UL94-V0



COVER

ADAPTOR FROM ADC 100 TO LEPIN 120



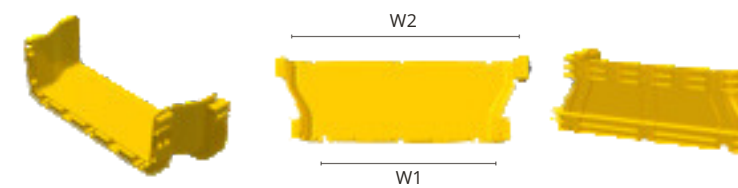
Item No.:	Name	Spec(mm)		Overall (mm)	Color	Material
		W1	W2			
36160	Adapter From ADC 100mm to LEPIN 120mm	120	100	165x100x121	Yellow	PVC/ABS
	Adapter From ADC 100mm to LEPIN 120mm Cover	120	100		Yellow	Metal

- Convert ADC 100mm system to Lepin 120mm system.
- Installation needs just screws
- Flame retardant: UL94-V0



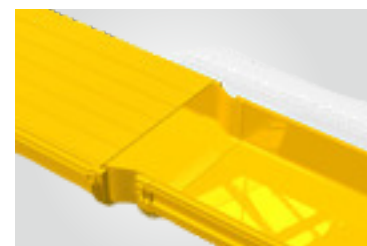
COVER

ADAPTOR FROM ADC 300 TO LEPIN 360

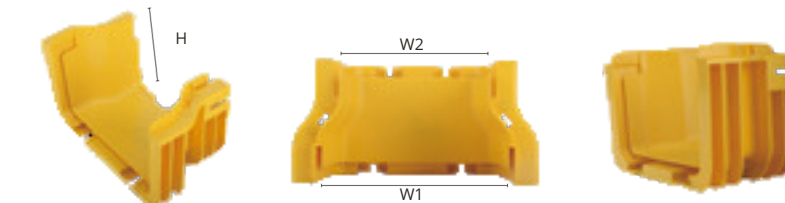


Item No.:	Name	Spec(mm)			Overall (mm)	Color	Material
		W1	W2	H			
36760	Adaptor From Adc 300 To Lepin 360	360	300	100	130x403x121	Yellow	PVC

- Convert ADC 300mm system to Lepin 360mm system.
- Installation needs just screws
- Flame retardant: UL94-V0



ADAPTOR FROM PANDUIT 150 TO LEPIN 120



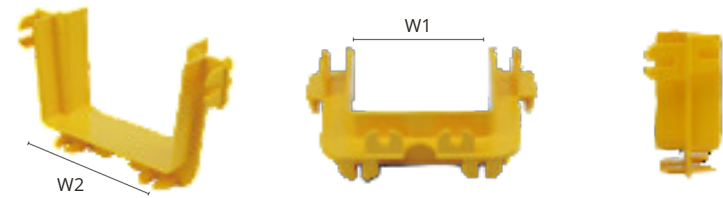
Item No.:	Name	Spec(mm)		Overall (mm)	Color	Material
		W1	W2			
36250	Adapter From PANDUIT 150mm to LEPIN 120mm	150	120	201x100x121	Yellow	PVC/ABS
	Adapter From PANDUIT 150mm to LEPIN 120mm Cover	150	120		Yellow	Metal

- Convert Panduit 150mm system to Lepin 120mm system
- Installation needs just screws
- Flame retardant: UL94-V0



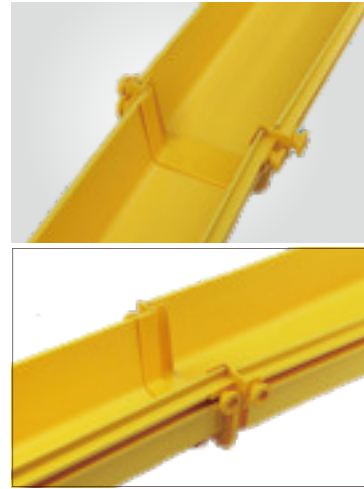
COVER

ADAPTOR FROM ADC 150 TO LEPIN 120

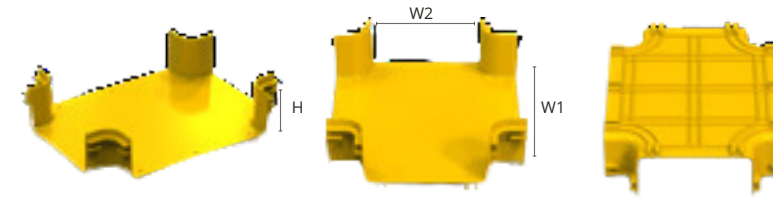


Item No.:	Spec(mm)			Overall (mm)	Color	Material
	W1	W2	H			
36210	120	150	100	199x60x122	Yellow	PVC/ABS

- Convert ADC 150mm system to Lepin 120mm system
- Installation needs T shape screw (LT147 P80) and twist head nut each 8 piece (LT343 P80)
- Flame retardant: UL94-V0

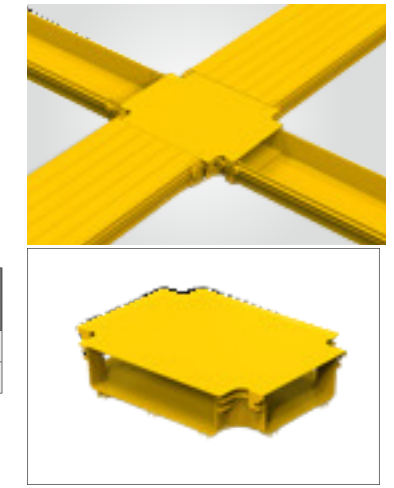


360 TO 240 HORIZONTAL CROSS



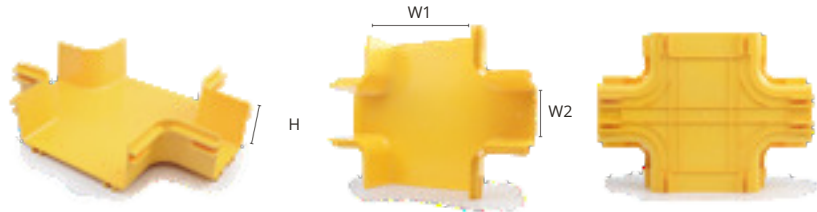
Item No.:	Name	Spec(mm)			Overall (mm)	Color	Material
		W1	W2	H			
36530	360 to 240 Horizontal cross	360	240	100	506x386x118	Yellow	PVC
38C42	360 to 240 Horizontal cross cover	360	240	—	528x406x40	Yellow	Metal

- Attaches to 360mmx100mm channel and/or fittings to create a horizontal four way cross intersection with two 240mmx100mm EXITS.
- Installation needs 360 type B connector and 240 type B connector each 2 piece
- Flame retardant: UL94-V0



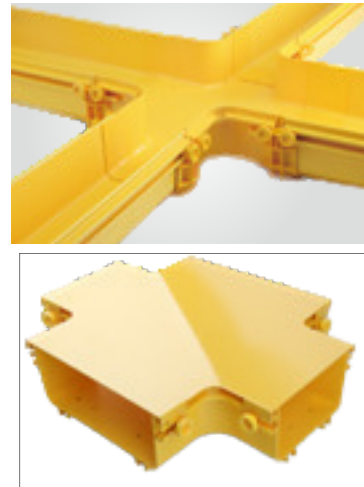
COVER

240 TO 120 HORIZONTAL CROSS



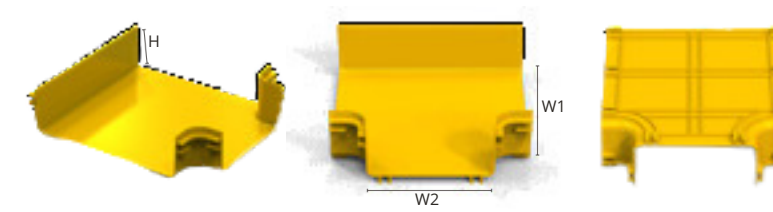
Item No.:	Name	Spec(mm)			Overall (mm)	Color	Material
		W1	W2	H			
36330	240 to 120 Horizontal cross	240	120	100	476x356x119	Yellow	PVC
38B42	240 to 120 Horizontal cross cover	240	120	—	476x355x40	Yellow	Metal

- Attaches to 240mmx100mm channel and/or fittings to create a horizontal four way cross intersection with two 120mmx100mm EXITS.
- Installation needs 240 type B connector and 120 type B connector each 2 piece
- Flame retardant: UL94-V0



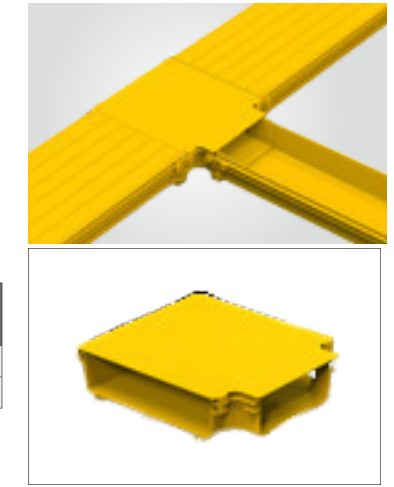
COVER

360 TO 240 HORIZONTAL TEE



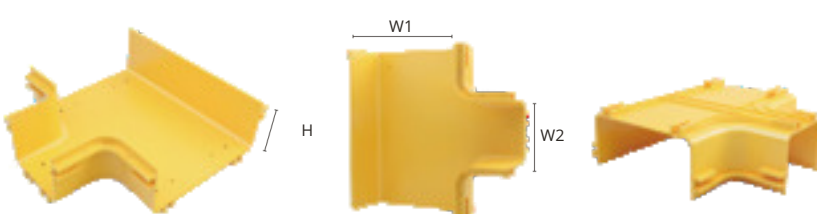
Item No.:	Name	Spec(mm)			Overall (mm)	Color	Material
		W1	W2	H			
36520	360 to 240 Horizontal Tee	360	240	100	451x384x118	Yellow	PVC
38C31	360 to 240 Horizontal Tee cover	360	240	—	467x406x40	Yellow	Metal

- Attaches to 360mmx100mm channel and/or fittings to create a 90° horizontal branch with a 240mmx100mm exit from straight horizontal run.
- Installation needs 360 type B connector 2 piece and 240 type B connector 1 piece
- Flame retardant: UL94-V0



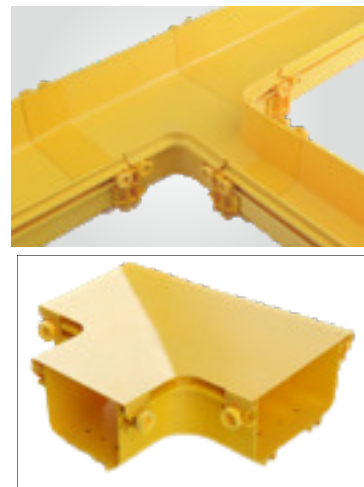
COVER

240 TO 120 HORIZONTAL TEE



Item No.:	Name	Spec(mm)			Overall (mm)	Color	Material
		W1	W2	H			
36320	240 to 120 Horizontal tee	240	120	100	350x372x117	Yellow	PVC
38B31	240 to 120 Horizontal tee cover	240	120	—	350x372x117	Yellow	Metal

- Attaches to 240mmx100mm channel and/or fittings to create a 90° horizontal branch with a 120mmx100mm exit from straight horizontal run.
- Installation needs 240 type B connector 2 piece and 120 type B connector 1 piece
- Flame retardant: UL94-V0



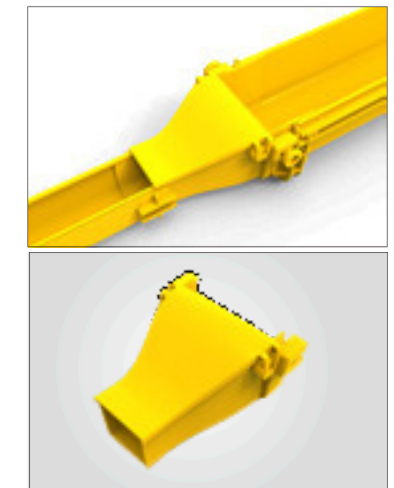
COVER

60 TO 120 ADAPTER



Item No.:	Name	Spec(mm)				Overall (mm)	Color	Material
		W1	W2	H1	H2			
LE261	60 to 120 Adapter	60	120	100	60	176x120x165	Yellow	PVC
38D23	60 to 120 Adapter cover	60	120	—	—	148x46x148	Yellow	Metal

- Attaches any 60mmx60mm fitting or channel to any 120mmx100mm fitting or channel.
- Installation needs 60 type connector and 120 type B connector each 1 piece
- Flame retardant: UL94-V0



COVER



EMKITS – Salida de Cables

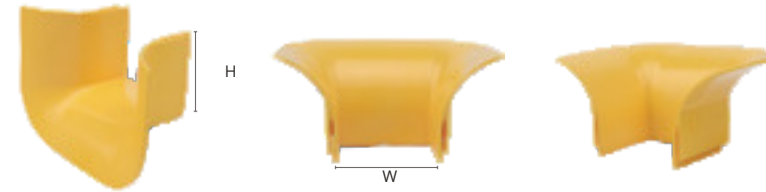
EMKITS – Sistema de Canalización Óptica



EMKITS – One-Stop Solutions for Cable Management and Data Center Infrastructure.

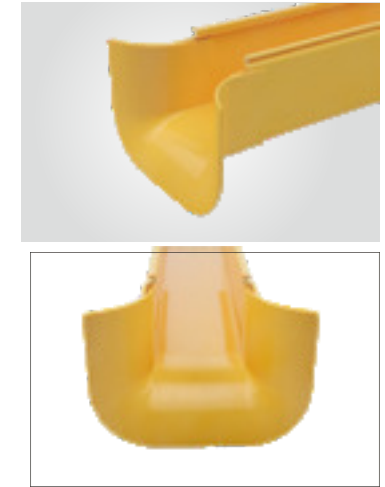
CABLE EXIT

60MM TRUMPET SPILLOUT KIT

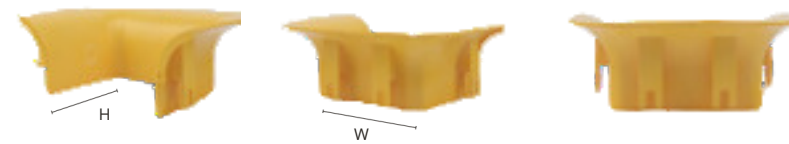


Item No.:	Spec(mm)		Overall (mm)	Color	Material
	W	H			
311L0	60	60	128×60×83	Yellow	PVC/ABS

- Used to limit the bend radius of the cable to 41.5mm when exiting from a spill over junction with a 60x60 exit or from 60x60 raceway
- Installation by hand, no tools needed.
- Flame retardant: UL94-V0



120MM TRUMPET SPILLOUT KIT



Item No.:	Spec(mm)		Overall (mm)	Color	Material
	W	H			
LL23B	120	100	179×70×125	Yellow	PVC/ABS

- Used to limit the bend radius of the cable to 41.5Mm when exiting from 120mmx100mm channel, 120mmx100mm horizontal tee fitting, or 120mmx100mm exit on 240mmx100mm vertical tee.
- Installation needs T shape screw (LT147 P80) and twist head nut each 4 piece (LT343 P80)
- Flame retardant: UL94-V0



240MM TRUMPET SPILLOUT KIT

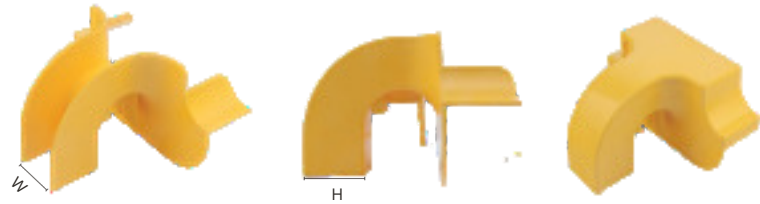


Item No.:	Spec(mm)		Overall (mm)	Color	Material
	W	H			
311S0	240	100	140×64×140	Yellow	PVC/ABS

- Used to limit the bend radius of the cable to 41.5mm when exiting from a 240x100 raceway or from 240x100 horizontal Tee
- Installation needs T shape screw (LT147 P80) and twist head nut each 4 piece (LT338 P80)
- Flame retardant: UL94-V0



60MM MOVABLE EXIT A KIT



Item No.:	Name	Spec(mm)		Overall (mm)	Color	Material
		W	H			
LC230	60mm Movable exit A kit	60	60	255x208x141	Yellow	PVC/ABS
38163	60mm Movable exit kit cover	60	—	260x222x143	Yellow	PVC/ABS

- Assembles onto 120mmx100mm,240mmx100mm,360mmx100mm channel, spilling over the side into a 60x60 exit
- Installation needs T shape screw (LT147 P80) and twist head nut (LT343 P80) each 1 piece, Metal support as optional
- Flame retardant: UL94-V0



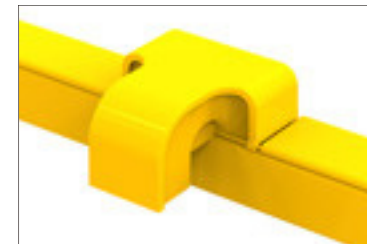
COVER

60MM MOVABLE EXIT B KIT



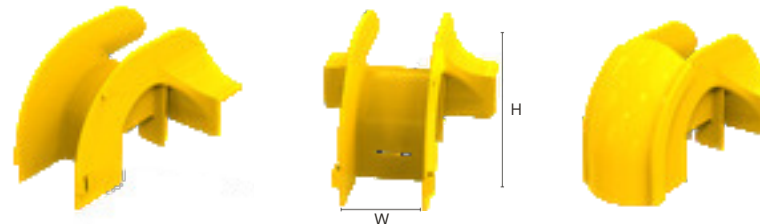
Item No.:	Name	Spec(mm)		Overall (mm)	Color	Material
		W	H			
LC250	60mm Movable exit B kit	45	60	89x134x78	Yellow	PVC/ABS
38065	60mm Movable exit kit cover	45	—	145x140x80	Yellow	PVC/ABS

- Assembles onto 60mmx60mm
- Installation by hand, no tools needed.
- Flame retardant: UL94-V0



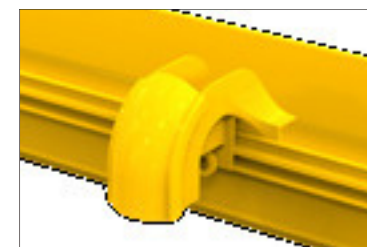
COVER

70MM MOVABLE EXIT KIT



Item No.:	Name	Spec(mm)		Overall (mm)	Color	Material
		W	H			
LC270	70mm Movable exit kit	70	-	143x162x113.5	Yellow	PVC/ABS
38067	70mm Movable exit kit cover	70	-	78x72.5x125.5	Yellow	PVC/ABS

- Assembles onto 120mmx100mm,240mmx100mm,360mmx100mm channel, spilling over the side into a 70mm movable exit without corrugated pipe.
- Installation needs T shape screw (LT147 P80) and twist head nut (LT343 P80) each 2 piece
- Flame retardant: UL94-V0



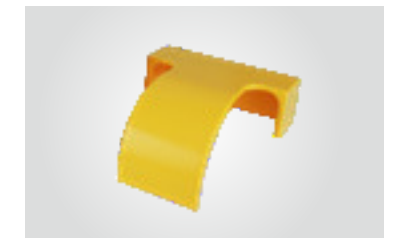
COVER

120MM MOVABLE EXIT KIT



Item No.:	Name	Spec(mm)		Overall (mm)	Color	Material
		W	H			
LC240	120mm Movable exit kit	120	170	250x211x146	Yellow	PVC/ABS
38064	120mm Movable exit kit cover	120	—	258x260x149	Yellow	PVC/ABS

- Assembles onto 120mmx100mm,240mmx100mm,360mmx100mm channel, spilling over the side into a 120mm movable exit.
- Installation needs T shape screw (LT147 P80) and twist head nut (LT343 P80) each 2 piece
- Flame retardant: UL94-V0



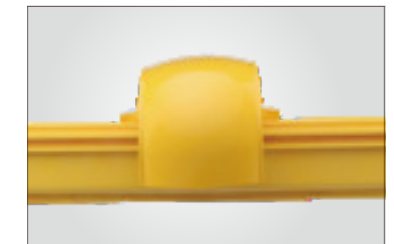
COVER

130MM MOVABLE EXIT KIT



Item No.:	Name	Spec(mm)		Overall (mm)	Color	Material
		W	H			
LC210	130mm Movable exit kit	130	170	226x170x130	Yellow	PVC/ABS
38161	130mm Movable exit kit cover	130	—	148x103x153	Yellow	PVC/ABS

- Assembles onto 120mmx100mm,240mmx100mm,360mmx100mm channel, spilling over the side into a 130mm movable exit.
- Installation needs T shape screw (LT147 P80) and twist head nut (LT343 P80) each 2 piece
- Flame retardant: UL94-V0



COVER

CORRUGATED PIPE AND ACCESSORIES

Item No.:	Name	Spec (mm)	Overall (mm)	Color	Material
LCK02	Pipe fixer	50	56x52x23	Yellow	PVC/ABS
LCK03	Pipe fixer	90	84.2x65x20	Yellow	PVC/ABS
T3P00	Pipe fixer for 120mm movable exit	50	70x34x105	Yellow	Metal
LCR50	Corrugated pipe	Φ50mm	Φ50	Yellow	PVC/ABS
LCR90	Corrugated pipe	Φ90mm	Φ90	Yellow	PVC/ABS

- Suits for all Lepin's cable exits
- Pipe fixer is necessary for installation of the corrugated pipes
- Length of the pipe is available upon demand



Pipe fixer for 120mm movable exit

Pipe Fixer

Corrugated Pipe

MOVABLE EXIT BRACKET

Item No.:	Spec L(mm)	Overall (mm)	Application range	Surface
33040	—	—	Electroplated Zinc	All cable exits Powder

- Reinforce the movable cable exit



TE

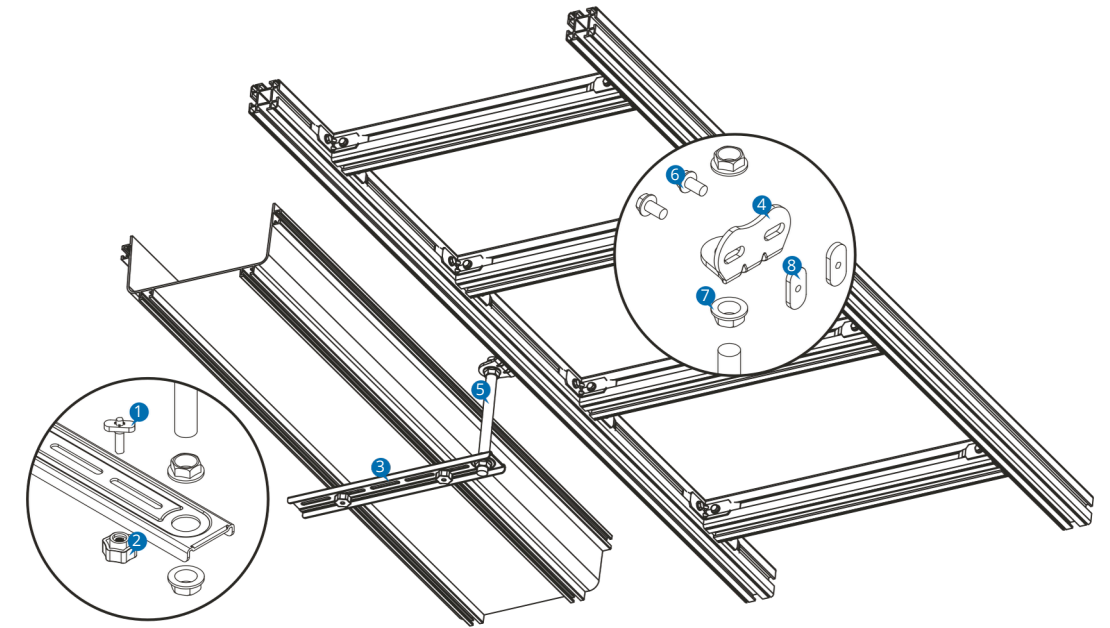
Kits de Soporte y Montaje

Accesorios para fijación de canaletas y escalerillas en techo, pared o piso técnico”



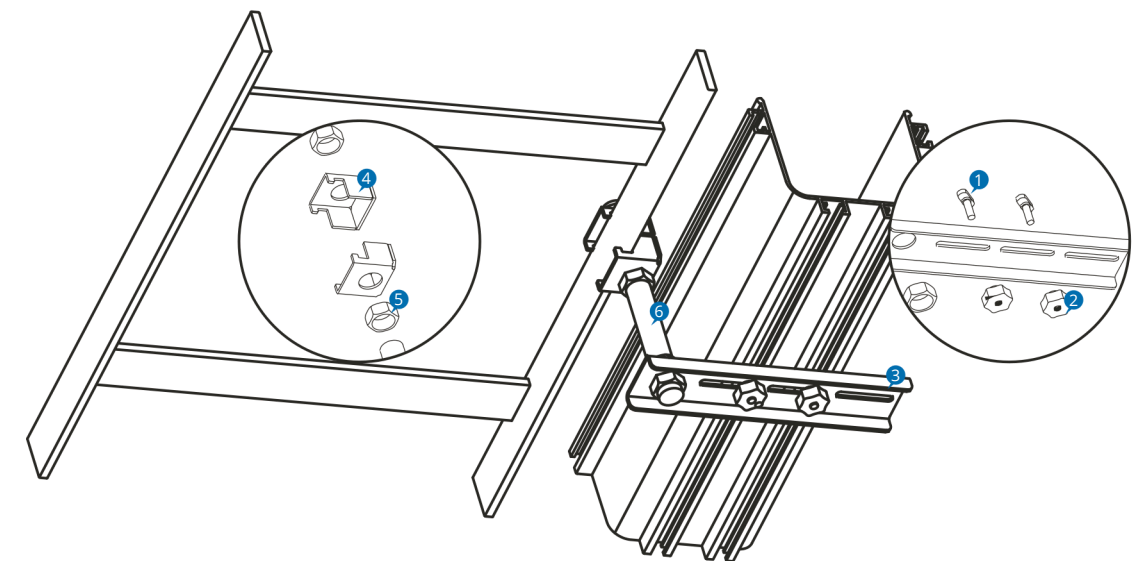
OF HIGH CLASS DATA CENTER INFRASTRUCTURE

INSTALLATION



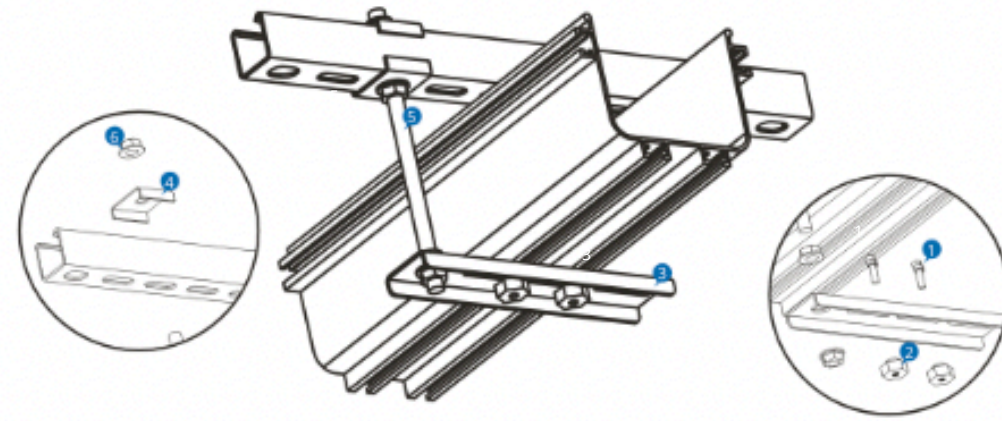
ALUMINUM LADDER RACK SIDE SUPPORT ((SUIT FOR 120MM AND 240MM ONLY)

- | | |
|--------------------------------------|------------------------|
| 1 LT147 Plastic T shape bolt×2 (P80) | ● Threaded rod×1 |
| 2 LT343 Plastic twist nut×2 (P80) | ● M6 Bolt x2 |
| 3 Single hole bar×1 (P79) | ● Flange nut×4 |
| 4 LD120 Ladder rack bracket×1 | ● LT344 Flexible nut×2 |



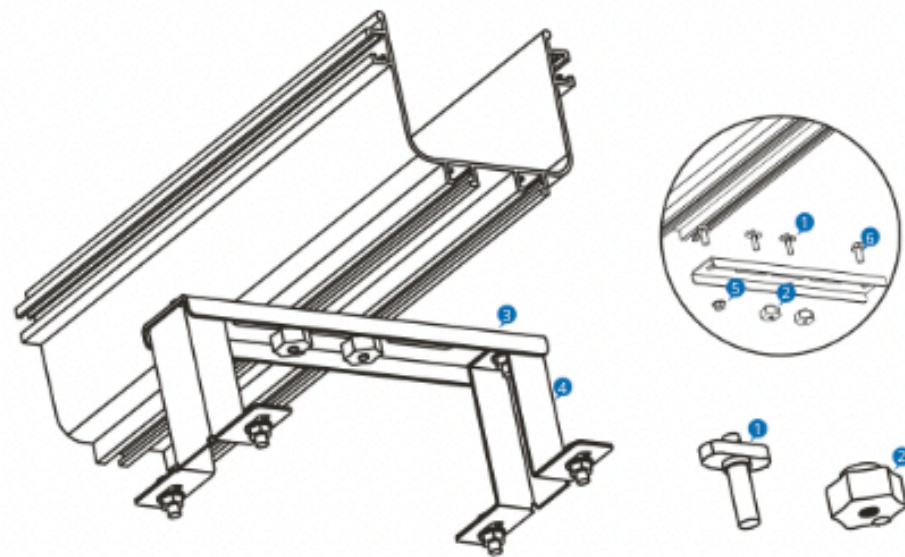
FLAT STEEL LADDER RACK SIDE SUPPORT ((SUIT FOR 120MM AND 240MM ONLY)

- | | |
|--------------------------------------|------------------------------|
| 1 LT147 Plastic T shape bolt×2 (P80) | 4 LD360 Flat steel fixture×2 |
| 2 LT343 Plastic twist nut×2 (P80) | 5 Flange nut×4 |
| 3 Single hole bar×1 (P79) | 6 Threaded rod×1 |



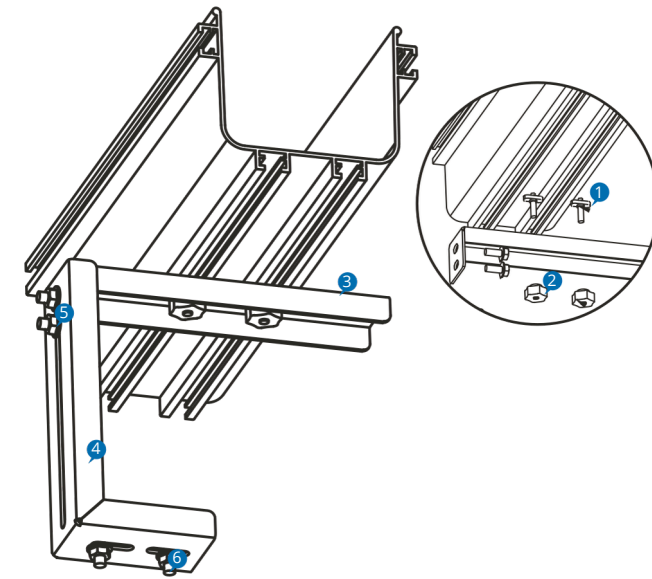
STRUT CHANNEL MOUNTING SUPPORT
((SUIT FOR 120MM AND 240MM ONLY))

- 1. LT147 Plastic T shape bolt×2 (P80)
- 2. LT343 Plastic twist nut×2 (P80)
- 3. Single hole bar×1 (P79)
- 4. strut channel clamp kit×1
- 5. threaded rod×1
- 6. Flange nut×4



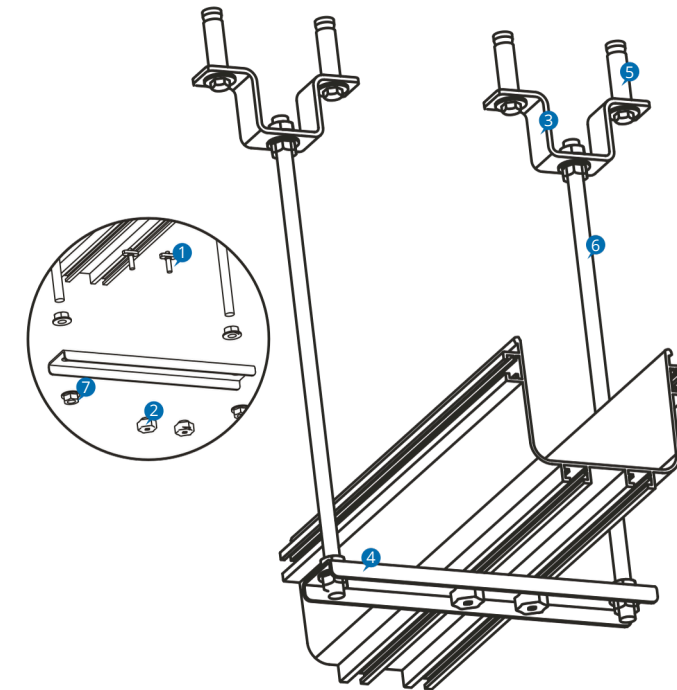
CABINET TOP SUPPORT KIT
((SUIT FOR ALL THE SIZES))

- 1. LT147 Plastic T shape bolt×2 (P80)
- 2. LT343 Plastic twist nut×2 (P80)
- 3. Dual-hole bar×1 (P79)
- 4. ST10 Cabinet top stand×2
- 5. M8 Flange nut×4
- 6. M8 bolt×4



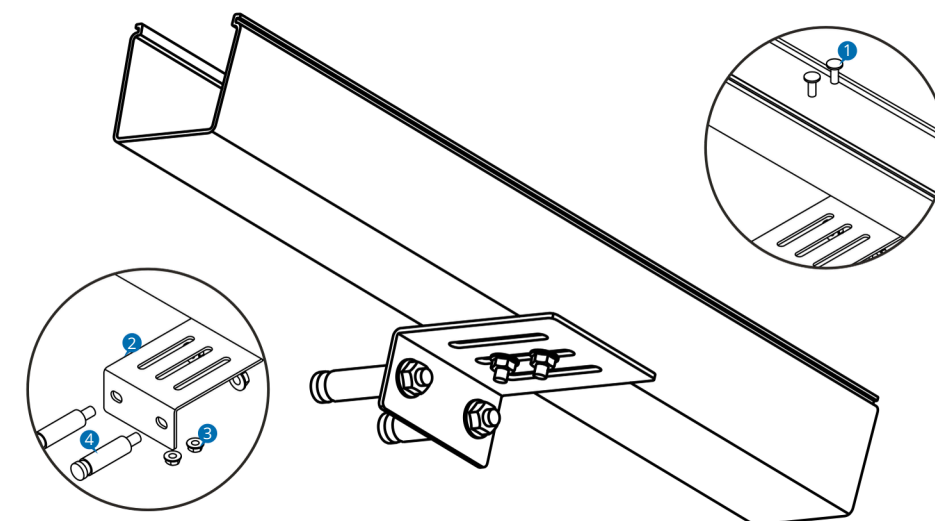
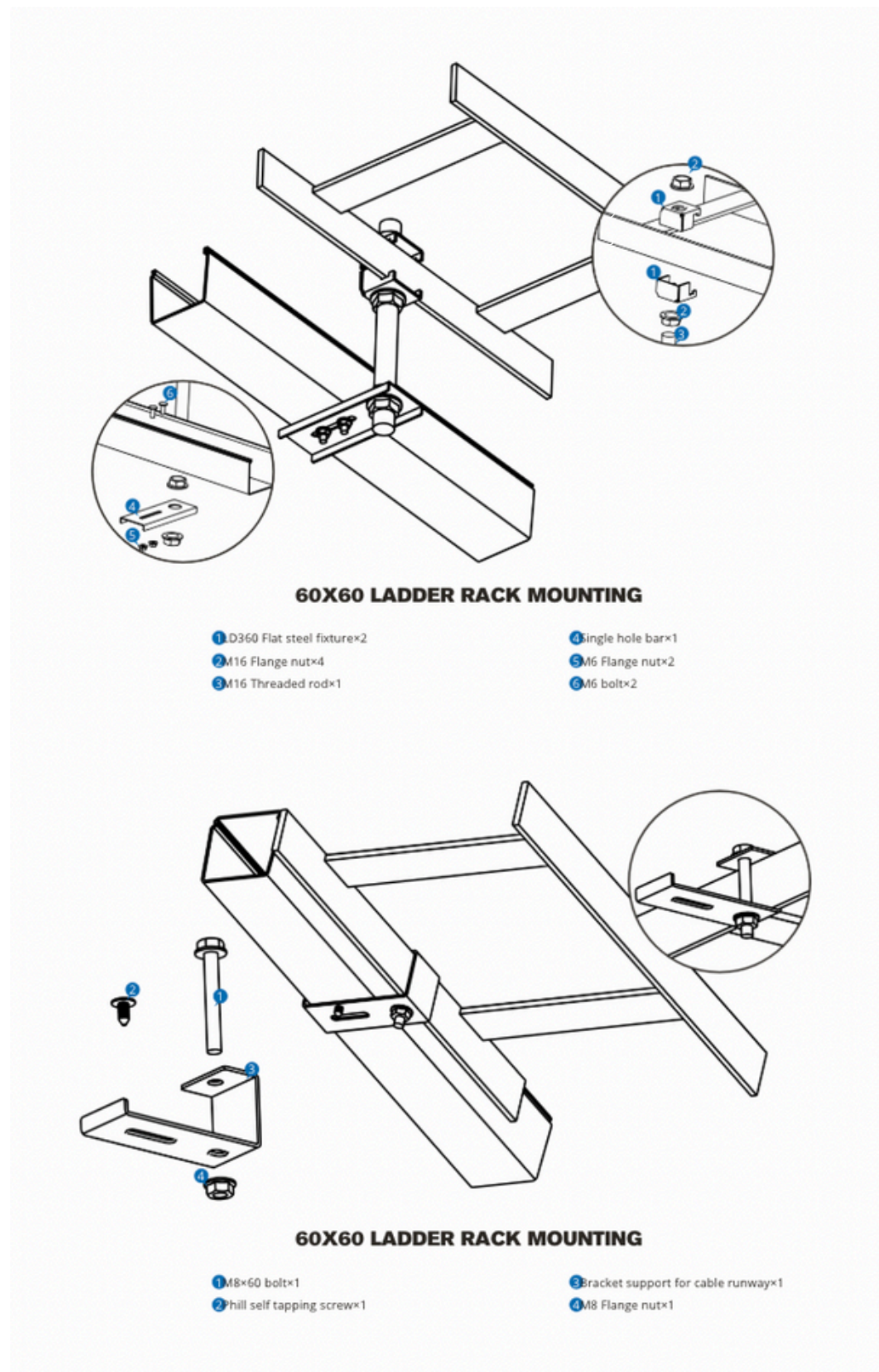
ADJUSTABLE CABINET TOP SUPPORT KIT
((SUIT FOR ALL THE SIZES))

- 1. LT147 Plastic T shape bolt×2 (P80)
- 2. LT343 Plastic twist nut×2 (P80)
- 3. Adjustable cabinet top support bar×1 (P79)
- 4. LST30 Adjustable cabinet top support stand×1 (P79)
- 5. M8 Flange nut×4
- 6. M8 bolt×4



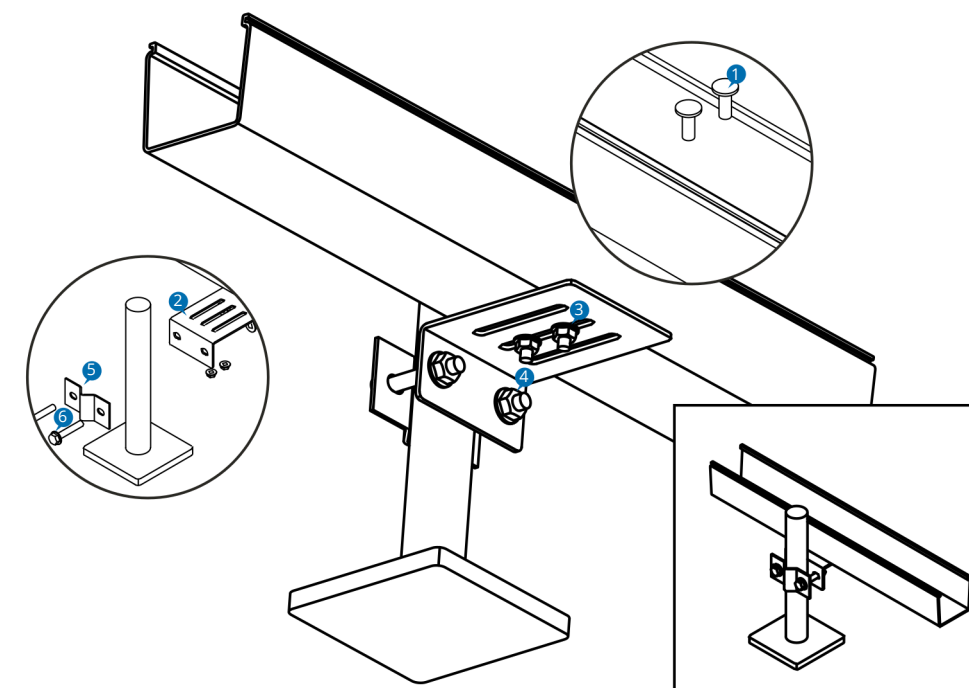
CEILING MOUNTING SUPPORT KIT
((SUIT FOR ALL THE SIZES))

- 1. LT147 Plastic T shape bolt×2 (P80)
- 2. LT343 Plastic twist nut×2 (P80)
- 3. LT630 Ω Bracket×2
- 4. Dual hole bar×1 (P79)
- 5. Expansion bolt×2
- 6. Threaded rod×2
- 7. Flange nut×8



60X60 WALL MOUNTING

- 1 M6×14 bolt×2
- 2 Holder×1
- 3 Flange nut×4
- 4 Expansion bolt×2



60X60 UNDER ACCESS FLOOR MOUNTING

- 1 M6×14 bolt×2
- 2 Holder×1
- 3 M6 Flange nut×2
- 4 M8 Flange nut×2
- 5 Pedestal clamp×1
- 6 M8 bolt×2

SINGLE HOLE BAR

Item No.:	Spec L (mm)	Overall (mm)	Application range	Surface treatment
LI2D1	120	230×47×12	120 straight section	Electroplated Zinc Powder coated
LI2D2	240	350×47×12	240 straight section	
LI2D3	360	450×50×23	360 System straight section	

Suits for various single threaded rod mounting supports

Color: ● ● ● ● ●



DUAL HOLE BAR

Item No.:	Spec L (mm)	Overall (mm)	Application range	Surface treatment
LI2S1	300	300×50×15	120 straight section	Electroplated Zinc Powder coated
LI2S2	400	400×50×15	240 straight section	
LI2S3	500	500×50×15	360 System straight section	

Suits for various double threaded rod mounting supports

Color: ● ● ● ● ●



WALL BRACKET

LI2Q1	230	230×50×100	120 straight section	Electroplated Zinc Powder coated
LI2Q2	350	350×50×100	240 straight section	

Suits for all fiber raceways' size within 240mm, length can be prolonged according to site situation.

Color: ●



ADJUSTABLE CABINET TOP SUPPORT BAR

LI2G1	230	230×50×50	120 straight section	Electroplated Zinc Powder coated
LI2G2		350×50×50	240 straight section	

Suits for raceways' size with 240mm, mounting with Item No.LST30

Color: ●

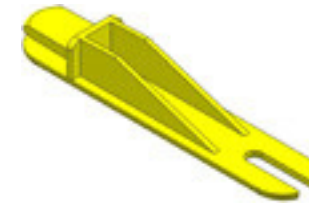


ADJUSTABLE CABINET TOP SUPPORT STAND

Item No.:	Spec H (mm)	Overall (mm)	Application range	Surface treatment
LST30	200	100×50×200	50-200	Electroplated Zinc Powder coated

Suits for fibre raceways installation at cabinet top, mounting with adjustable cabinet top support bar

Color: ● ● ● ● ●



CUTTING IN TEE BRACKET

Item No.:	Overall (mm)
33010	132×25×19

in kit

HINGED COVER UPPER PART

Item No.:	Overall (mm)
33020	50×18.5×11.5

HINGED COVER LOWER PART

Item No.:	Overall (mm)
33030	50×36×11.5

PLASTIC ROUND HEAD BOLT

Item No.:	Spec (mm)	Overall (mm)
LT5B4	M5×15	Φ27×28.5

PLASTIC SQUARE NUT

Item No.:	Spec (mm)	Overall (mm)
LT338	M5	18×18×8

PLASTIC T SHAPE BOLT

Item No.:	Spec (mm)	Overall (mm)
LT147	M6×15	26×20.5×11

PLASTIC TWIST NUT

Item No.:	Spec (mm)	Overall (mm)
LT343	M6	Φ24.5×14